

Jinbo Marine

Marine & Offshore Equipment Datasheet

PRODUCT DATASHEET

STERN TUBE BEARING

JQ/CS 48A Type Stern Tube Bearing

Technical Specification This type of bearings is used together with JQ/CS48Asealing apparatus. Specification A B C ...

- ISO9001 Supplier
- Class Certificate
- Export Supply



Key Highlights

Category	Stern Tube Bearing
Weight / Size	Specification A B C N D1 D2 L L1 L2 L3 L4 L4 Weight (kg) Front Back 45 1...
Certificate	CCS, BV, ABS, GL, LR, DNV, NK,RINA, KR,IRS

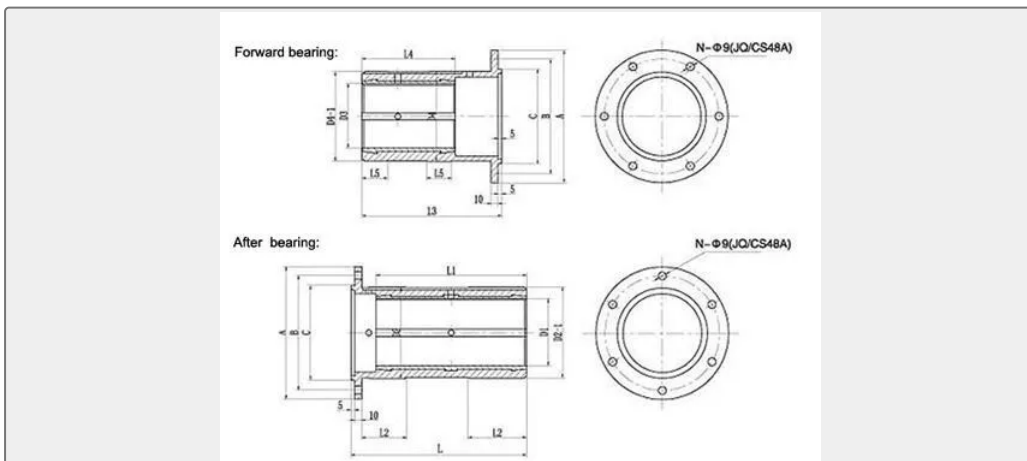
We can supply according to your requirement, drawings, class certificate needs, and delivery schedule.



Technical Specifications			
Category	Stern Tube Bearing	Model / SKU	JQ-CS-48A-Type-Stern-Tube-Bearing
Weight / Size	Specification A B C N D1 D2 L L1 L2 L3 L4 L4 Weight (kg) Front Back 45 110 90 70 4 40 60 135 100 25 95 60 15 1.5 2 50 115 95 75 4 45 66 150 115 30 105 70 15 1.8 2.4 55 120 100 80 4 50 72 160 125 35 115 80 20 2.2 2.9 60 125 105 85 4 55 77 170 135 40 120 85 20 2.6 3.5 65 130 110 90 6 60 83 185 150 45 125 90 25 3.1 4.2 70 135 115 95 6 65 88 195 160 50 130 95 25 3.8 5 75 140 120 100 6 70 93 205 170 55 140 105 30 4.3 6 80 145 125 105 6 75 98 215 180 60 145 110 30 4.9 7.2 85 150 130 110 6 80 105 225 190 65 155 120 35 5.6 9 90 155 135 115 6 85 110 240 205 70 165 130 35 6.4 9.8 95 160 140 120 8 90 115 255 220 75 170 135 40 7.3 10.8 100 165 145 125 8 95 120 265 230 80 175 140 40 8.2 12 105 170 150 130 8 100 126 280 245 85 185 150 45 9.2 13.4 110 175 155 135 8 105 132 295 260 90 195 160 45 10.5 15	Certificate	CCS, BV, ABS, GL, LR, DNV, NK, RINA, KR, IRS
Warranty	12 Months unless specified otherwise	Origin	China

Technical Specification

This type of bearings is used together with JQ/CS48A sealing apparatus.



Specification	A	B	C	N	D1	D2	L	L1	L2	L3	L4	L4	Weight (kg)	
													Front	Back
45	110	90	70	4	40	60	135	100	25	95	60	15	1.5	2
50	115	95	75	4	45	66	150	115	30	105	70	15	1.8	2.4
55	120	100	80	4	50	72	160	125	35	115	80	20	2.2	2.9
60	125	105	85	4	55	77	170	135	40	120	85	20	2.6	3.5
65	130	110	90	6	60	83	185	150	45	125	90	25	3.1	4.2
70	135	115	95	6	65	88	195	160	50	130	95	25	3.8	5
75	140	120	100	6	70	93	205	170	55	140	105	30	4.3	6
80	145	125	105	6	75	98	215	180	60	145	110	30	4.9	7.2
85	150	130	110	6	80	105	225	190	65	155	120	35	5.6	9
90	155	135	115	6	85	110	240	205	70	165	130	35	6.4	9.8
95	160	140	120	8	90	115	255	220	75	170	135	40	7.3	10.8
100	165	145	125	8	95	120	265	230	80	175	140	40	8.2	12
105	170	150	130	8	100	126	280	245	85	185	150	45	9.2	13.4
110	175	155	135	8	105	132	295	260	90	195	160	45	10.5	15