

STERN TUBE BEARING

JT4175-86 Inland Water Vessel Shafting Intermediate Bearing

ISO9001 Supplier

Class Certificate

Export Supply

Reliable quality with competitive price. Type Dimensions (mm) Weight (kg) D L C1 ...



Key Highlights

Category	Stern Tube Bearing
Standard	EN
Weight / Size	Type Dimensions (mm) Weight (kg) D L C1 C2 C3 b1 b2 b3 h1 h2 D2 n-d A (a...
Certificate	ABS, LR, BV, DNVGL, NK, KR, IRS, RMRS, CCS

We can supply according to your requirement, drawings, class certificate needs, and delivery schedule.

Technical Specifications

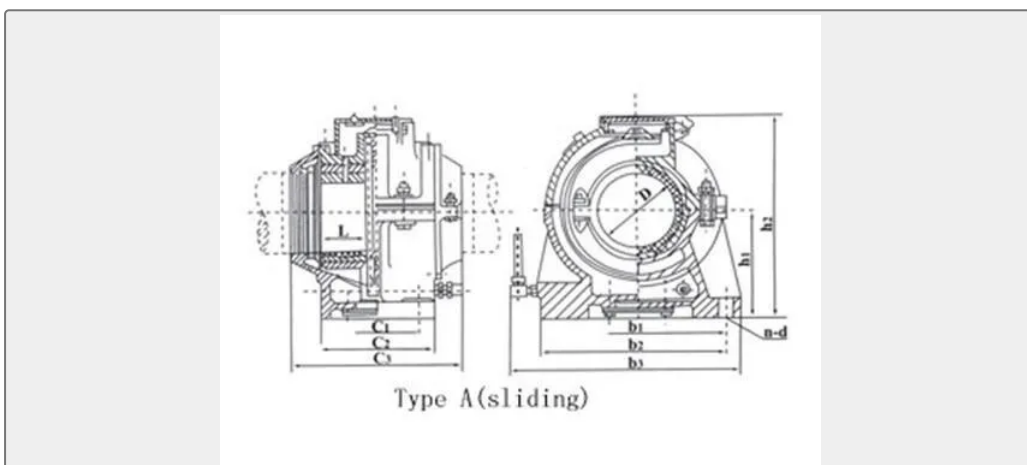
Category	Stern Tube Bearing	Model / SKU	JT4175-86-Inland-Water-Vessel-Shafting-Intermediate-Bearing
Standard	EN	Weight / Size	Type Dimensions (mm) Weight (kg) D L C1 C2 C3 b1 b2 b3 h1 h2 D2 n-d A (a) 140 140 77 150 210 344 360 420 478 229 450 15 4-25 115 160 160 88 171 231 365 396 456 514 240 472 15 4-25 119 180 180 88 183 253 387 410 480 538 252 494 15 4-32 151 200 200 110 205 273 407 440 510 568 280 529 15 4-32 160 210 210 115 215 285 495 445 515 585 288 547 15 4-32 162 220 220 121 227 293 431 466 536 594 285 555 15 4-32 207
Certificate	ABS, LR, BV, DNVGL, NK, KR, IRS, RMRS, CCS	Warranty	12 Months unless specified otherwise
Origin	China		



China JT4175-86 Inland Water Vessel Shafting Intermediate Bearing:



Reliable quality with competitive price.



Type		Dimensions (mm)											Weight (kg)	
		D	L	C1	C2	C3	b1	b2	b3	h1	h2	D2		n-d
A (a)	140	140	77	150	210	344	360	420	478	229	450	15	4-25	115
	160	160	88	171	231	365	396	456	514	240	472	15	4-25	119
	180	180	88	183	253	387	410	480	538	252	494	15	4-32	151
	200	200	110	205	273	407	440	510	568	280	529	15	4-32	160
	210	210	115	215	285	495	445	515	585	288	547	15	4-32	162
	220	220	121	227	293	431	466	536	594	285	555	15	4-32	207