


FIRE DETECTION AND ALARM SYSTEM

JTG-ZW-601F-M Flame Detector

JTG-ZW-601F-M Flame Detector 1)Chapter of international code for fire safetysystems as amended by MSC.3119880; 2)Chapter of international code for fire safetysystems as amended by MSC.339(91); 3)EN54-2:1997,Fire ...

- ISO9001 Supplier
- Class Certificate
- Export Supply

	<div style="background-color: #1a3d3d; color: white; padding: 5px;">Key Highlights</div> <table style="width: 100%; border-collapse: collapse;"> <tr> <td style="width: 20%;">Category</td> <td>Fire Detection and Alarm System</td> </tr> <tr> <td>Standard</td> <td>EN</td> </tr> <tr> <td>Material</td> <td>Cream-colored Shell material:</td> </tr> <tr> <td>Certificate</td> <td>ABS, LR, BV, DNVGL, NK, KR, IRS, RMRS, CCS</td> </tr> </table> <p style="font-size: small; margin-top: 10px;">We can supply according to your requirement, drawings, class certificate needs, and delivery schedule.</p>	Category	Fire Detection and Alarm System	Standard	EN	Material	Cream-colored Shell material:	Certificate	ABS, LR, BV, DNVGL, NK, KR, IRS, RMRS, CCS
Category	Fire Detection and Alarm System								
Standard	EN								
Material	Cream-colored Shell material:								
Certificate	ABS, LR, BV, DNVGL, NK, KR, IRS, RMRS, CCS								

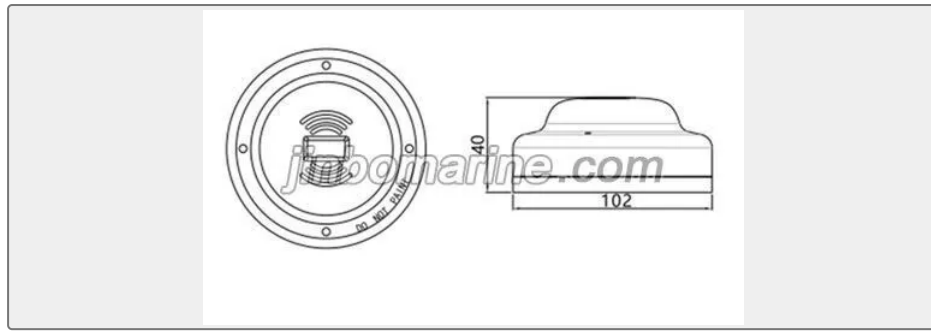
Technical Specifications			
Category	Fire Detection and Alarm System	Model / SKU	JTG-ZW-601F-M-Flame-Detector
Standard	EN	Material	Cream-colored Shell material:
Certificate	ABS, LR, BV, DNVGL, NK, KR, IRS, RMRS, CCS	Warranty	12 Months unless specified otherwise
Origin	China		

China JTG-ZW-601F-M Flame Detector:

JTG-ZW-601F-M Flame Detector

- 1)Chapter of international code for fire safetysystems as amended by MSC.3119880;
- 2)Chapter of international code for fire safetysystems as amended by MSC.339(91);
- 3)EN54-2:1997,Fire detection and fire alarm systems Part2:control and indicating equipment.





Colour: Cream-colored

Shell material: ABS

Power supply: DC24V

Spectral range:180nm~290nm

Monitor current: $\leq 10\mu\text{A}$

Alarm current: $\leq 40\text{mA}$