

Jinbo Marine

Marine & Offshore Equipment Datasheet

PRODUCT DATASHEET

FIRE DETECTION AND ALARM SYSTEM

JTH-CH386Ex Explosion-Proof Flame Detector

ISO9001 Supplier

Class Certificate

Export Supply

JTH-CH386Ex Explosion-Proof Flame Detector 1)Chapter of international code for fire safety systems as amended by MSC.3119880; 2)Chapter of international code for fire safety systems as amended by MSC.339(91); 3)EN5...



Key Highlights

Category	Fire Detection and Alarm System
Standard	GB
Material	Red Shell material:Gast aluminum Power supply:
Certificate	ABS, LR, BV, DNVGL, NK, KR, IRS, RMRS, CCS

We can supply according to your requirement, drawings, class certificate needs, and delivery schedule.

Technical Specifications

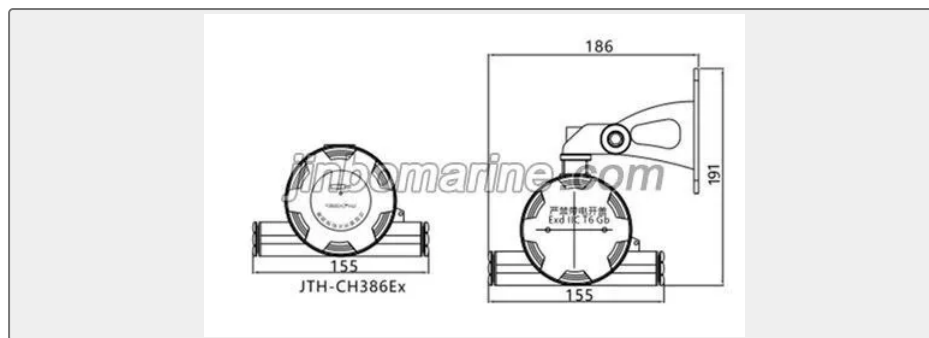
Category	Fire Detection and Alarm System	Model / SKU	JTH-CH386Ex-Explosion-Proof-Flame-Detector
Standard	GB	Material	Red Shell material:Gast aluminum Power supply:
Certificate	ABS, LR, BV, DNVGL, NK, KR, IRS, RMRS, CCS	Warranty	12 Months unless specified otherwise
Origin	China		

China JTH-CH386Ex Explosion-Proof Flame Detector:

JTH-CH386Ex Explosion-Proof Flame Detector

- 1)Chapter of international code for fire safety systems as amended by MSC.3119880;
- 2)Chapter of international code for fire safety systems as amended by MSC.339(91);
- 3)EN54-2:1997,Fire detection and fire alarm systems Part2:control and indicating equipment.





Colour: Red

Shell material: Gast aluminum

Power supply: DC24V

Spectral range: 3.8um~11um/180nm~290nm

Explosive-proof Grade: Exd IIC T6 Gb

Alarm current: $\leq 80\text{mA}$

IP rating: IP67