

# Jinbo Marine

Marine &amp; Offshore Equipment Datasheet

PRODUCT DATASHEET

## MARINE AUTOMATIC TELEPHONE SYSTEM

## JX-3 Shoreline Junction Box

JX-3 Shoreline Junction Box Color: Sea gray ( B05 ) IP class:IP56 Weight:3.4Kg Stuffing box cable entrance hole size: 1-Φ12mm&nbsp; 1-Φ18mm

ISO9001 Supplier

Class Certificate

Export Supply



### Key Highlights

<b>Category</b>	Marine Automatic Telephone System
<b>Standard</b>	EN
<b>Weight / Size</b>	Sea gray ( B05 ) IP class:IP56 Weight:3.4Kg Stuffing box cable entrance hol...
<b>Certificate</b>	ABS, LR, BV, DNVGL, NK, KR, IRS, RMRS, CCS

We can supply according to your requirement, drawings, class certificate needs, and delivery schedule.

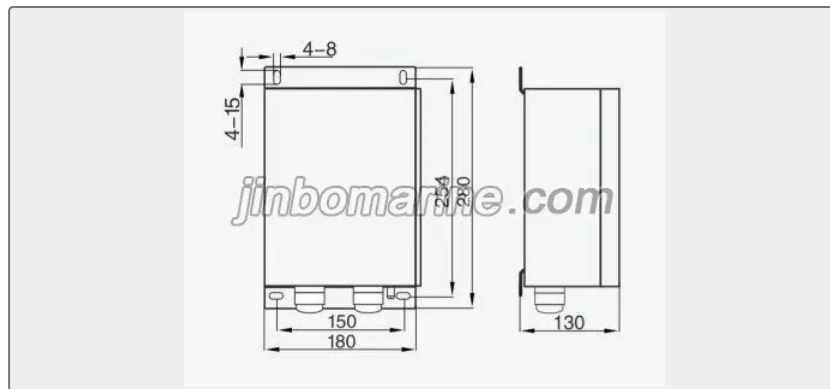
### Technical Specifications

<b>Category</b>	Marine Automatic Telephone System	<b>Model / SKU</b>	JX-3-Shoreline-Junction-Box
<b>Standard</b>	EN	<b>Weight / Size</b>	Sea gray ( B05 ) IP class:IP56 Weight:3.4Kg Stuffing box cable entrance hole size:
<b>Certificate</b>	ABS, LR, BV, DNVGL, NK, KR, IRS, RMRS, CCS	<b>Warranty</b>	12 Months unless specified otherwise
<b>Origin</b>	China		

### China JX-3 Shoreline Junction Box:

JX-3 Shoreline Junction Box





Color: Sea gray ( B05 )

IP class:IP56

Weight:3.4Kg

Stuffing box cable entrance hole size: 1- $\Phi$ 12mm 1- $\Phi$ 18mm