

Jinbo Marine

Marine & Offshore Equipment Datasheet

PRODUCT DATASHEET

HSM WATERITIGHT DOOR INDICATION SYSTEM

JXS202 JXS302 Marine Junction Box

JXS202 JXS302 Marine Junction Box 1)Chapter 2 of Part 4 of the "Steel Ship Classification Rules" of the China Classification Society; 2)IMO Resolution A.1021(26) Code on Alerts and Indicators, 2009. ...

ISO9001 Supplier

Class Certificate

Export Supply



Key Highlights

Category	HSM Wateritight Door Indication System
Material	JXS202 JXS302 Marine Junction Box 1)Chapter 2 of Part 4 of the "Steel Sh...
Certificate	ABS, LR, BV, DNVGL, NK, KR, IRS, RMRS, CCS

We can supply according to your requirement, drawings, class certificate needs, and delivery schedule.

Technical Specifications

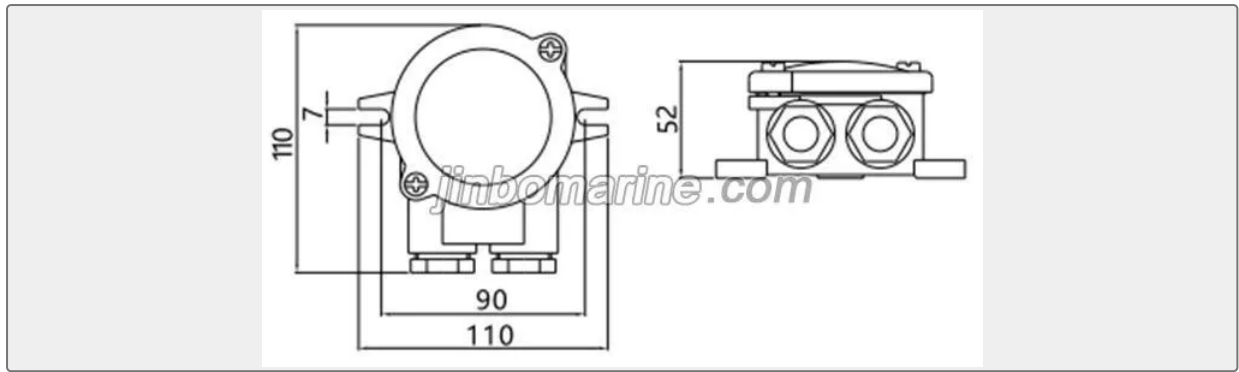
Category	HSM Wateritight Door Indication System	Model / SKU	JXS202-JXS302-Marine-Junction-Box
Material	JXS202 JXS302 Marine Junction Box 1)Chapter 2 of Part 4 of the "Steel Ship Classification Rules" of the China Classification Society;	Certificate	ABS, LR, BV, DNVGL, NK, KR, IRS, RMRS, CCS
Warranty	12 Months unless specified otherwise	Origin	China

China JXS202 JXS302 Marine Junction Box:

JXS202 JXS302 Marine Junction Box

1)Chapter 2 of Part 4 of the "Steel Ship Classification Rules" of the China Classification Society;
2)IMO Resolution A.1021(26) Code on Alerts and Indicators, 2009.





Shell material: Nylon

Cable gland: $\phi 12$ ~ $\phi 16$

IP rating: IP56