

Jinbo Marine

Marine & Offshore Equipment Datasheet

PRODUCT DATASHEET

MARINE SHAFT

JZ Marine Shaft Mechanical Brake

It is suitable for small and medium vessels whose stern shafts need to be locked when they anchor. Accept customization Specification D D1 ...

ISO9001 Supplier

Class Certificate

Export Supply



Key Highlights

| | |
|---------------|--|
| Category | Marine Shaft |
| Standard | EN |
| Weight / Size | Accept customization Specification D D1 H H1 AA1 B B1 B2 Weight (kg) JZ... |
| Certificate | ABS, LR, BV, DNVGL, NK, KR, IRS, RMRS, CCS |

We can supply according to your requirement, drawings, class certificate needs, and delivery schedule.



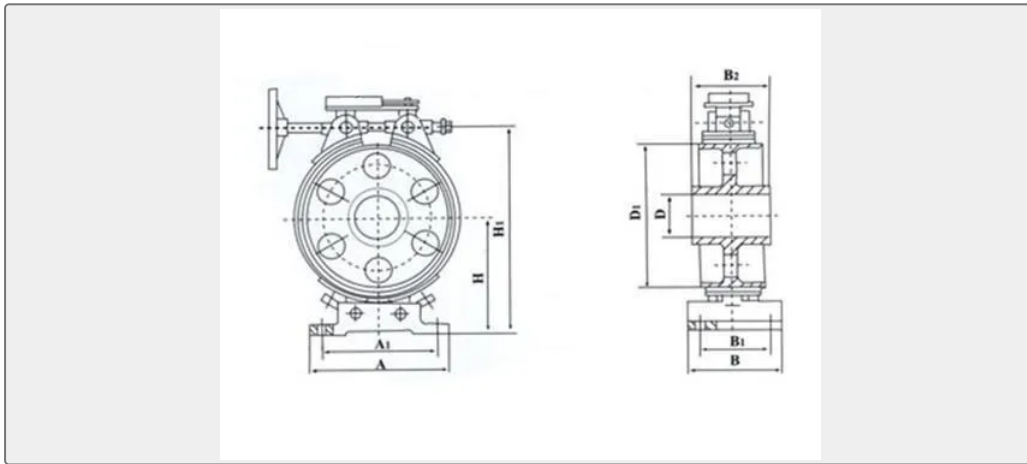
| Technical Specifications | | | |
|--------------------------|--|----------------------|---|
| Category | Marine Shaft | Model / SKU | JZ-shafting-mechanical-brake |
| Standard | EN | Weight / Size | Accept customization Specification D D1 H H1 A A1 B B1 B2 Weight (kg) JZ60 60 450 360 640 320 260 160 110 160 84 JZ70 70 450 360 640 320 260 160 110 160 83 JZ80 80 450 360 640 320 260 160 110 160 82 JZ90 90 450 360 640 320 260 160 110 160 81 JZ100 100 450 360 640 320 260 160 110 160 80 JZ110 110 520 400 700 380 320 200 150 200 124 JZ120 120 520 400 700 380 320 200 150 200 123 JZ130 130 520 400 700 380 320 200 150 200 122 JZ140 140 520 400 700 380 320 200 150 200 121 JZ150 150 520 400 700 380 320 200 150 200 120 JZ160 160 620 450 820 440 380 260 200 240 190 JZ170 170 620 450 820 440 380 260 200 240 188 JZ180 180 620 450 820 440 380 260 200 240 186 JZ190 190 620 450 820 440 380 260 200 240 184 JZ200 200 620 450 820 440 380 260 200 240 182 JZ210 210 750 520 960 500 540 300 240 280 300 JZ220 220 750 520 960 500 540 300 240 280 295 JZ230 230 750 520 960 500 540 300 240 280 290 JZ240 240 750 520 960 500 540 300 240 280 285 JZ250 250 750 520 960 500 540 300 240 280 280 |
| Certificate | ABS, LR, BV, DNVGL, NK, KR, IRS, RMRS, CCS | Warranty | 12 Months unless specified otherwise |
| Origin | China | | |



China JZ Marine Shaft Mechanical Brake:



It is suitable for small and medium vessels whose stern shafts need to be locked when they anchor.
Accept customization



| Specification | D | D1 | H | H1 | A | A1 | B | B1 | B2 | Weight (kg) |
|---------------|-----|-----|-----|-----|-----|-----|-----|-----|-----|-------------|
| JZ60 | 60 | 450 | 360 | 640 | 320 | 260 | 160 | 110 | 160 | 84 |
| JZ70 | 70 | 450 | 360 | 640 | 320 | 260 | 160 | 110 | 160 | 83 |
| JZ80 | 80 | 450 | 360 | 640 | 320 | 260 | 160 | 110 | 160 | 82 |
| JZ90 | 90 | 450 | 360 | 640 | 320 | 260 | 160 | 110 | 160 | 81 |
| JZ100 | 100 | 450 | 360 | 640 | 320 | 260 | 160 | 110 | 160 | 80 |
| JZ110 | 110 | 520 | 400 | 700 | 380 | 320 | 200 | 150 | 200 | 124 |
| JZ120 | 120 | 520 | 400 | 700 | 380 | 320 | 200 | 150 | 200 | 123 |
| JZ130 | 130 | 520 | 400 | 700 | 380 | 320 | 200 | 150 | 200 | 122 |
| JZ140 | 140 | 520 | 400 | 700 | 380 | 320 | 200 | 150 | 200 | 121 |
| JZ150 | 150 | 520 | 400 | 700 | 380 | 320 | 200 | 150 | 200 | 120 |
| JZ160 | 160 | 620 | 450 | 820 | 440 | 380 | 260 | 200 | 240 | 190 |
| JZ170 | 170 | 620 | 450 | 820 | 440 | 380 | 260 | 200 | 240 | 188 |

| | | | | | | | | | | |
|-------|-----|-----|-----|-----|-----|-----|-----|-----|-----|-----|
| JZ180 | 180 | 620 | 450 | 820 | 440 | 380 | 260 | 200 | 240 | 186 |
| JZ190 | 190 | 620 | 450 | 820 | 440 | 380 | 260 | 200 | 240 | 184 |
| JZ200 | 200 | 620 | 450 | 820 | 440 | 380 | 260 | 200 | 240 | 182 |
| JZ210 | 210 | 750 | 520 | 960 | 500 | 540 | 300 | 240 | 280 | 300 |
| JZ220 | 220 | 750 | 520 | 960 | 500 | 540 | 300 | 240 | 280 | 295 |
| JZ230 | 230 | 750 | 520 | 960 | 500 | 540 | 300 | 240 | 280 | 290 |
| JZ240 | 240 | 750 | 520 | 960 | 500 | 540 | 300 | 240 | 280 | 285 |
| JZ250 | 250 | 750 | 520 | 960 | 500 | 540 | 300 | 240 | 280 | 280 |