

# Jinbo Marine

Marine &amp; Offshore Equipment Datasheet

PRODUCT DATASHEET

## MARINE ELECTRIC MOTOR

## JZ2-H Series Three Phase Marine Induction Motor

Introduction JZ2-H series three phase marine induction motor For hoisting is kind of squirrel caged type. The motors are applicable for mechanical and Electrical deck tugging facilities of short term quota loading,...

ISO9001 Supplier

Class Certificate

Export Supply



### Key Highlights

Category	Marine Electric Motor
Standard	DIN
Weight / Size	Inclination and swing:±22.5° Main Technical Data Type Output /kW Rated C...
Certificate	IR GL DNV KR

We can supply according to your requirement, drawings, class certificate needs, and delivery schedule.

### Technical Specifications

Category	Marine Electric Motor	Model / SKU	JZ2-H-Series-Three-Phase-Marine-Induction-Motor
Standard	DIN	Weight / Size	Inclination and swing:±22.5° Main Technical Data Type Output /kW Rated Current /A Rated Speed r/min Duty Type Brake weight /kg 380V 50Hz 380V 50Hz 440V 60Hz 380V 50Hz 440V 60Hz S3 % S2 min Brake torque N • m Contact Voltage /V Holding Voltage /V Contact Current/A Holding Current/A JZ2-H 11-4 1.5 4.3 3.7 1400 1680 25 — 24.8 128/1.19 128/1.
Certificate	IR GL DNV KR	Warranty	12 Months unless specified otherwise
Origin	China		



0.070983s

**CONTENTS**

- Introduction
- Type
- Rated Current /A
- Duty Type
- Main Technical Data
- Output /kW
- Rated Speed r/min
- Brake

## Introduction

JZ2-H series three phase marine induction motor For hoisting is kind of squirrel caged type. The motors are applicable for mechanical and Electrical deck tugging facilities of short term quota loading, such as anchor machine、 capstan and marine winch, etc.

Operation Condition:

Altitude : 0m ;

Allowed max temperature: +45°C ;

Relative humidity : ≤ 95% ;

shock、 Vibration、 Dew、 Salt mist. 、 Oil mist、 Fungus,exists;

Inclination and swing:±22.5°

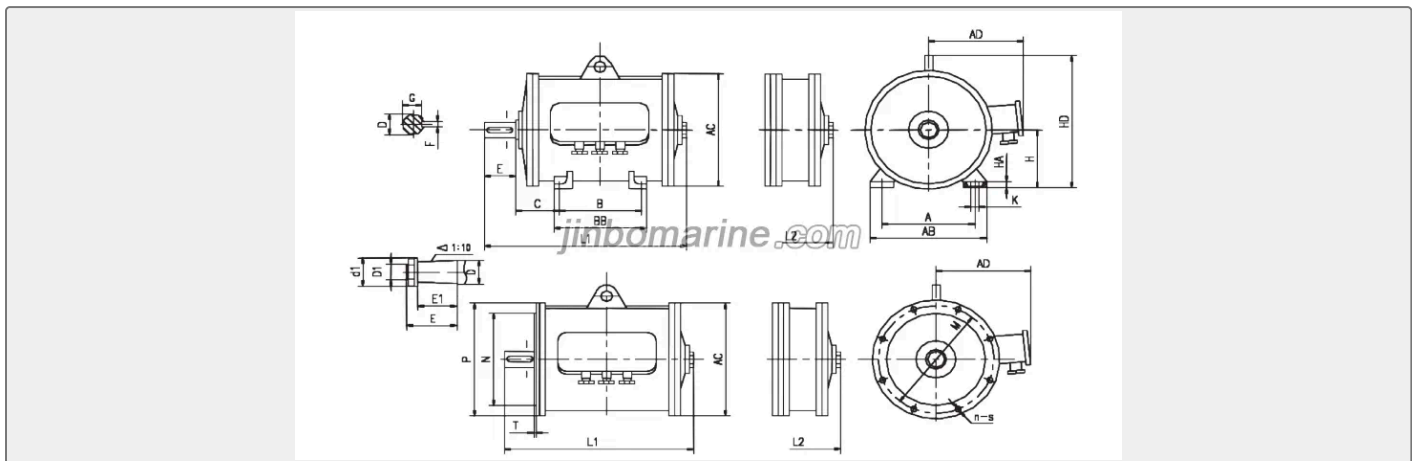
## Main Technical Data

Type	Output /kW	Rated Current /A		Rated Speed r/min		Duty Type		Brake			weight /kg
		380V 50Hz	380V 50Hz	440V 60Hz	380V 50Hz	440V 60Hz	S3 %	S2 min	Brake torque N • m	Contact Voltage /V	
									Contact Current/ A	Holding Current/ A	

JZ2-H 11-4	1.5	4.3	3.7	1400	1680	25	—	24.8	128/1.1 9	128/1. 19	66
JZ2-H 12-4	2.2	6.0	5.2	1400	1680			24.8	128/1.1 9	128/1. 19	86
JZ2-H 13-4	3.5	8.9	7.7	1400	1680			24.8	128/1.1 9	128/1. 19	77
JZ2-H 21-4	5	12	10.4	1400	1680			54.8	128/1.7 8	128/1. 78	110
JZ2-H 21-6	3.5	10	8.7	900	1080			54.8	128/1.7 8	128/1. 78	110
JZ2-H 22-6	5	13.3	11.5	900	1080			54.8	128/1.7 8	128/1. 78	122
JZ2-H 31-6	7.5	19.2	16.6	900	1080			119.6	128/2.0 5	128/2. 05	174
JZ2-H 32-6	11	26.8	23.2	900	1080			119.6	128/2.0 5	128/2. 05	195
JZ2-H 41-6	16	35	30.3	900	1080			232.8	110/9	30/2. 45	365
JZ2-H 41-8	11	28.9	25	695	830			232.8	110/9	30/2. 45	340

JZ2-H 22-4/12	3/1.2	6. 8/7.12	5. 9/6. 15	1350/410	1620/490	—	30/10	40	110/1.6	30/0. 85	112
JZ2-H 23-4/12	4. 3/1.7	9. 5/10. 1	8. 2/8. 73	1350/410	1620/490	—	30/10	40	110/1.6	30/0. 85	149
JZ2-H 32-4/12	6/2.5	12. 9/11.3	11.2/9.76	1350/390	1620/465	—	30/10	119.6	110/4.5	30/1. 23	177
JZ2-H 33-4/12	8. 5/3. 5	17. 9/14.8	15.5/12.8	1370/390	1620/465	—	30/10	119.6	110/4.5	30/1. 23	227
JZ2-H 33-4/16	8. 5/2.4	19. 2/11.6	16. 6/10. 1	1370/310	1620/370	—	30/15	119.6	110/4.5	30/1. 23	230
JZ2-H 41-4/16	12/3. 5	25/18. 2	21.6/15.7	1370/320	1640/380	—	30/15	232.8	110/9	30/2. 45	345
JZ2-H 42-4/16	18/5	37/23. 8	32/20. 6	1370/320	1640/380	—	30/15	232.8	110/9	30/2. 45	407
JZ2-H 41-4/8/16	7. 5/7. 5/5	16. 8/17.8/26	14. 5/15.4/22.5	1400/665/300	1680/798/360	—	10/30/5	232.8	110/9	30/2. 45	365
JZ2-H 42-4/8/16	11/11/7.5	23/25. 5/36	19. 9/22.1/31. 1	1400/665/300	1680/798/360	—	10/30/5	232.8	110/9	30/2. 45	415
JZ2-H 51-4/8/16	16/16/11	33/35. 2/49	28. 5/30. 4/42. 3	1400/665/300	1680/798/360	—	10/30/5	510.6	110/9	30/2. 46	505
JZ2-H 52-4/8/16	22/22/16	43. 7/47.8/71	37. 8/41.3/61.3	1400/665/300	1680/798/360	—	10/30/5	510.6	110/9	30/2. 46	575
JZ2-H 61-4/8/16	30/30/22	60. 5/69. 5/96	52. 3/60. 1/83	1420/670/300	1700/800/360	—	10/30/5	676	110/10. 47	30/2. 86	850
JZ2-H 71-4/8/16	45/45/30	88. 5/100/142	76. 5/86. 4/122.7	1420/680/320	1700/810/380	—	10/30/5	889	110/18. 25	30/4. 98	1210
JZ2-H 72-4/8/16	60/60/45	114/135/195	98. 5/116. 6/168.5	1420/720/330	1700/860/390	—	10/30/5	1350	110/18. 25	30/4. 98	1560

## Mounting and Overall Dimensions



Type	Mounting Dimension																Over Dimension											
	A	B	C	D	E	F	G	H	K	M	N	P	s	T	n	Shaft Extension Form	D1	E1	dl	HA	AB	AC	AD	BB	HD	LI	L2	



JZ2-11-12-4-H	190	140	85	28	60	8	24	112	14	265	230	300	15	4	4	Cylindrical	—	—	—	12	220	250	190	180	275	410	485
JZ2-13-4-H		170																						210	440	515	
JZ2-21-4-6-H	220	150	90	32	80	10	27	114	14	265	230	300								15	260	280	195	190	295	410	530
JZ2-22-6-4/12-H		200																						240	460	590	
JZ2-23-4/12-H		270																						310	530	660	

