

Jinbo Marine

Marine & Offshore Equipment Datasheet

PRODUCT DATASHEET

MARINE STOCK ANCHOR

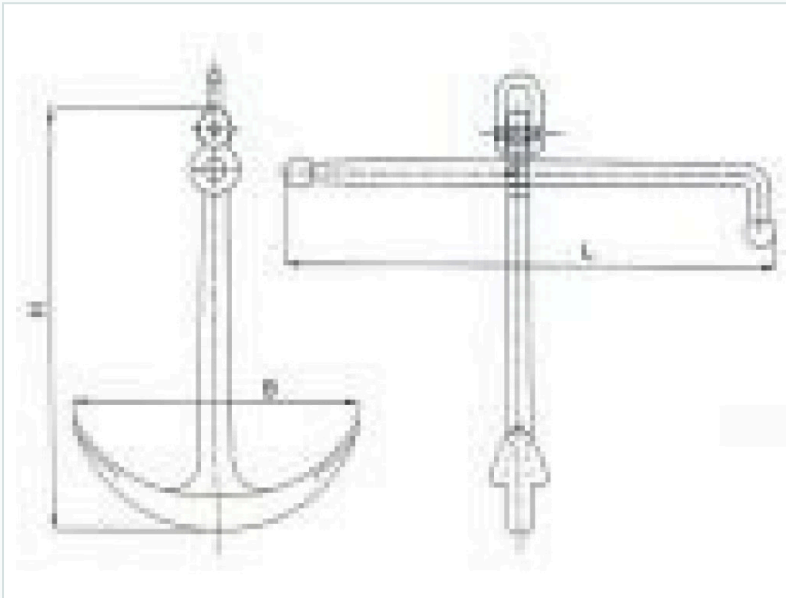
Japan Stock Anchor

Japan Stock Anchor is from 500KGS to 8000KGS, the structure is simple, but the holding-power-to-weight is up to 12, this anchor is used as Stern Anchor for boat and sailing vessel.

ISO9001 Supplier

Class Certificate

Export Supply



Key Highlights

Category	Marine Stock Anchor
Standard	DIN
Material	Casting Steel
Weight / Size	from 500KGS to 8000KGS
Certificate	ABS, LR, BV, DNV, GL, RINA, NK, KR, RS, IRS, CCS

We can supply according to your requirement, drawings, class certificate needs, and delivery schedule.

Technical Specifications

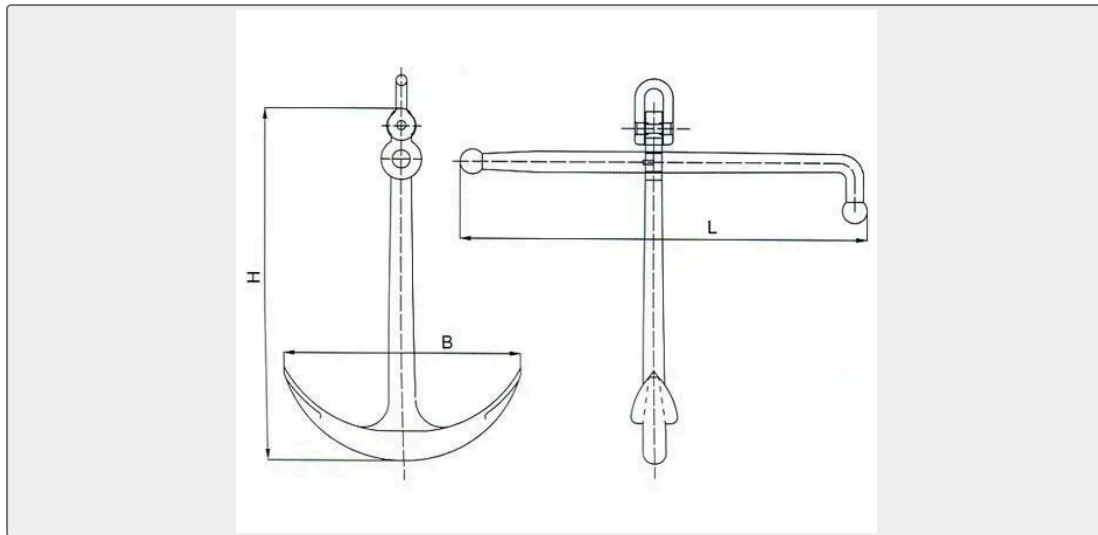
Category	Marine Stock Anchor	Model / SKU	Japan-Stock-Anchor
Standard	DIN	Material	Casting Steel
Weight / Size	from 500KGS to 8000KGS	Certificate	ABS, LR, BV, DNV, GL, RINA, NK, KR, RS, IRS, CCS
Warranty	12 Months unless specified otherwise	Origin	China

CONTENTS

- China Japan Stock Anchor:
- Dimension Table:
- Technical Specification:



China Japan Stock Anchor:



Danforth High Holding Power Anchor

Japan Stock Anchor is from 500KGS to 8000KGS, the structure is simple, but the holding-power-to-weight is up to 12, this anchor is used as Stern Anchor for boat and sailing vessel.

We can delivery the anchors to you as per your requirement.

Technical Specification:

Material: Casting Steel

Weight: 500KGS-8000KGS

Classification: LR, ABS, DNV, GL, BV, NK, KR, IRS and CCS Certificate.

Dimension Table:

Nominal Weight (KG)	Size(mm)		
	H	L	B
500	2000	2065	1350
700	2260	2335	1510
750	2310	2342	1560
1000	2550	2637	1700
1500	2890	2960	1950
2000	3160	3272	2140
3000	3630	3555	2650
3500	3810	3820	2570
4000	4000	4135	2920
5000	4310	4470	3140
6000	4580	4740	3330



7000	4820	4980	3530
8000	5040	5215	3620