

# Jinbo Marine

Marine &amp; Offshore Equipment Datasheet

PRODUCT DATASHEET

STEEL CARGO BLOCK

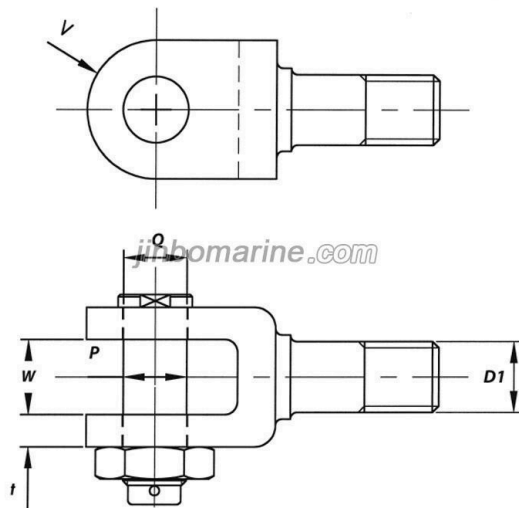
## Jaw Head Fittings

Drawing: Specification: Nominal size Will(t) Dimensions (mm) Thread D1 W t Q ...

ISO9001 Supplier

Class Certificate

Export Supply



### Key Highlights

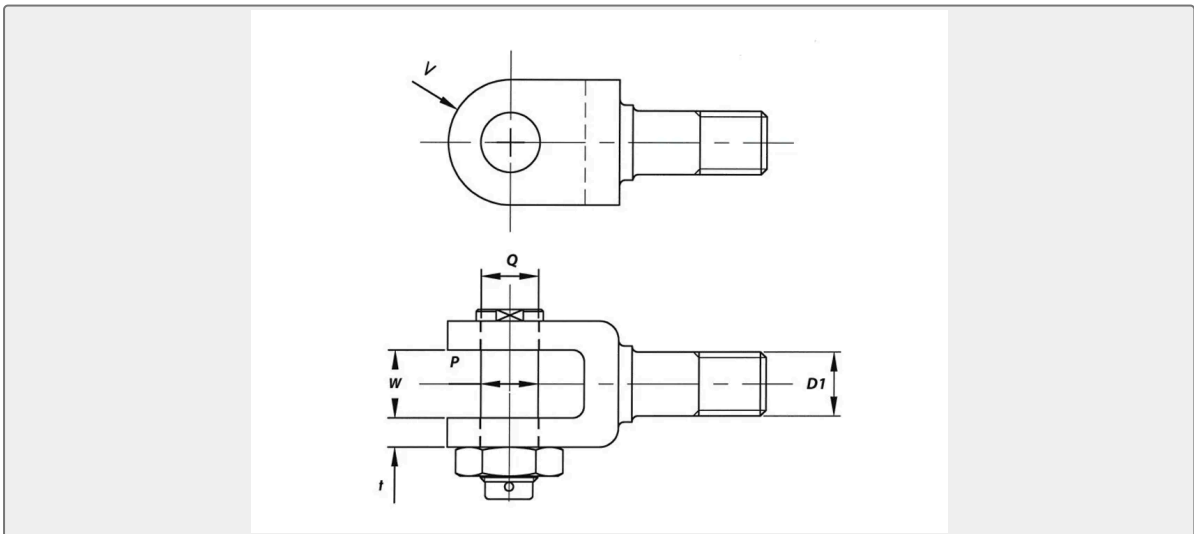
Category	Steel Cargo Block
Standard	EN
Weight / Size	Nominal size Will(t) Dimensions (mm) Thread D1 W t Q V P 1 1 19 8 17 17....
Certificate	ABS, LR, BV, DNVGL, NK, KR, IRS, RMRS, CCS

We can supply according to your requirement, drawings, class certificate needs, and delivery schedule.

Technical Specifications			
<b>Category</b>	Steel Cargo Block	<b>Model / SKU</b>	Jaw-Head-Fittings
<b>Standard</b>	EN	<b>Weight / Size</b>	Nominal size Will(t) Dimensions (mm) Thread D1 W t Q V P 1 1 19 8 17 17.5 16 M18 2 2 26 12 23 25 22 M24 2.5 2.5 29 13 25 27.5 24 M27 3 3.2 32 14 28 30 27 M30 4 4 35 15 31 32.5 30 M33 5 5 39 18 37 37.5 36 M36 6 6.3 45 20 40 42.5 39 M42 8 8 49 23 46 47.5 45 M45 10 10 58 26 50 55 48 M52 12 12.5 64 28 54 60 52 M56 16 16 70 30 62 65 60 M64 20 20 74 33 70 70 68 M72*6 25 25 80 35 74 75 72 M76*6 32 32 90 40 82 85 80 M80*6 40 40 100 45 90 95 93 M90*6 50 50 110 50 100 105 104 M100*6 63 63 120 65 110 115 114 M110*6 Product Advantage:
<b>Certificate</b>	ABS, LR, BV, DNVGL, NK, KR, IRS, RMRS, CCS	<b>Warranty</b>	12 Months unless specified otherwise
<b>Origin</b>	China		

<b>CONTENTS</b>	■ Drawing:	■ Specification:
	■ Product Advantage:	■ Packing and Delivery :
	■ How to Order?	

**Drawing:**



## Specification:

Nominal size	Will(t)	Dimensions (mm)					Thread D1
		W	t	Q	V	P	
1	1	19	8	17	17.5	16	M18
2	2	26	12	23	25	22	M24
2.5	2.5	29	13	25	27.5	24	M27
3	3.2	32	14	28	30	27	M30
4	4	35	15	31	32.5	30	M33
5	5	39	18	37	37.5	36	M36
6	6.3	45	20	40	42.5	39	M42
8	8	49	23	46	47.5	45	M45
10	10	58	26	50	55	48	M52
12	12.5	64	28	54	60	52	M56
16	16	70	30	62	65	60	M64
20	20	74	33	70	70	68	M72*6
25	25	80	35	74	75	72	M76*6
32	32	90	40	82	85	80	M80*6
40	40	100	45	90	95	93	M90*6
50	50	110	50	100	105	104	M100*6
63	63	120	65	110	115	114	M110*6

## Product Advantage:

- 1.Satisfactory Quality
- 2.Competitive Price
- 3.Prompt Delivery
- 4.7x24 hours service

## Packing and Delivery :

1. Standard Export Packing or Seaworthy Packing, if you have special requirement, please specify when inquiry.
2. Fast Delivery, delivery time can negotiate when order.

## How to Order?

1. Please inform us the model, type or size you need.
2. Please inform us the quantity to make the best price for you.
3. Shipment Model: Air or Sea shipment.
4. Special requirement if any.