

# Jinbo Marine

Marine &amp; Offshore Equipment Datasheet

PRODUCT DATASHEET

## FIRE DETECTION AND ALARM SYSTEM

# K1303 Fire Alarm Repeater(Wall Mounted)

ISO9001 Supplier

Class Certificate

Export Supply

K1303 Fire Alarm Repeater(Wall Mounted) Installation: wall type Power consumption: alarm status:  $\leq 2.4W$  With the controller line length: 1000m Maximum loop transmission distanc...



### Key Highlights

Category	Fire Detection and Alarm System
Standard	EN
Certificate	ABS, LR, BV, DNVGL, NK, KR, IRS, RMRS, CCS

We can supply according to your requirement, drawings, class certificate needs, and delivery schedule.

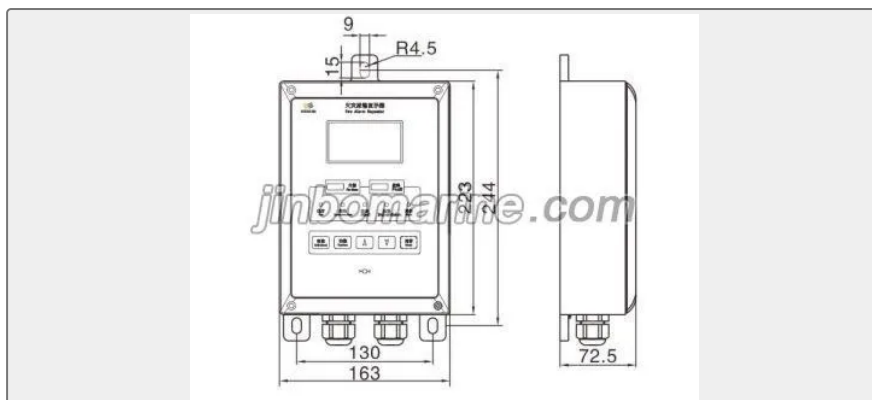
### Technical Specifications

Category	Fire Detection and Alarm System	Model / SKU	K1303-Fire-Alarm-Repeater-Wall-Mounted
Standard	EN	Certificate	ABS, LR, BV, DNVGL, NK, KR, IRS, RMRS, CCS
Warranty	12 Months unless specified otherwise	Origin	China

## China K1303 Fire Alarm Repeater(Wall Mounted):

K1303 Fire Alarm Repeater(Wall Mounted)





Installation: wall type

Power consumption: alarm status:  $\leq 2.4W$

With the controller line length: 1000m

Maximum loop transmission distance: 1000m

IP grade: IP44

Cable gland entry demension: 2- $\Phi 10 \sim 14mm$