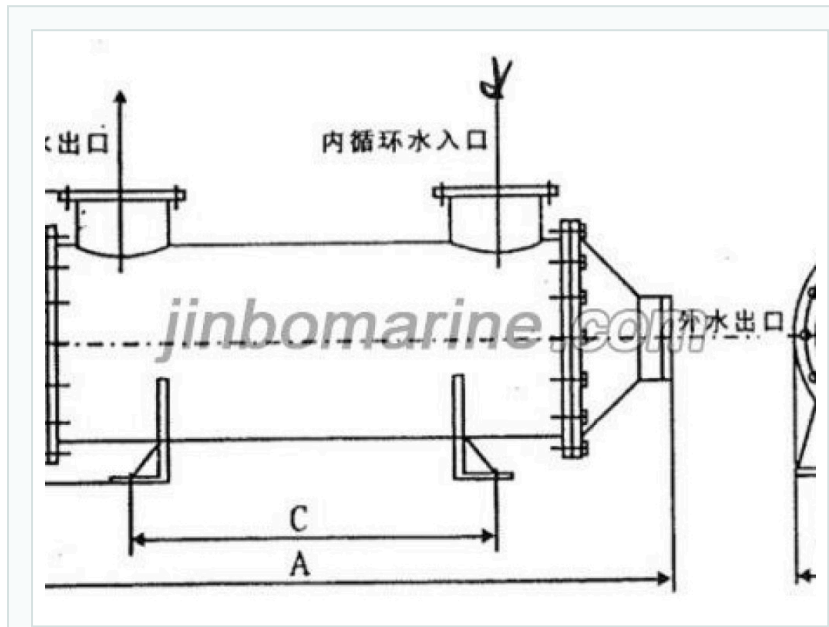


HEAT EXCHANGER

# K2000 K4000 Heat Exchanger

K2000 K4000 Heat Exchanger used for Diesel engine of 1800HP to 4000HP. Type A(mm)  
 B(mm) C(mm) D(mm) ...

- ISO9001 Supplier
- Class Certificate
- Export Supply



### Key Highlights

Category	Heat Exchanger
Standard	EN
Certificate	ABS, LR, BV, DNVGL, NK, KR, IRS, RMRS, CCS

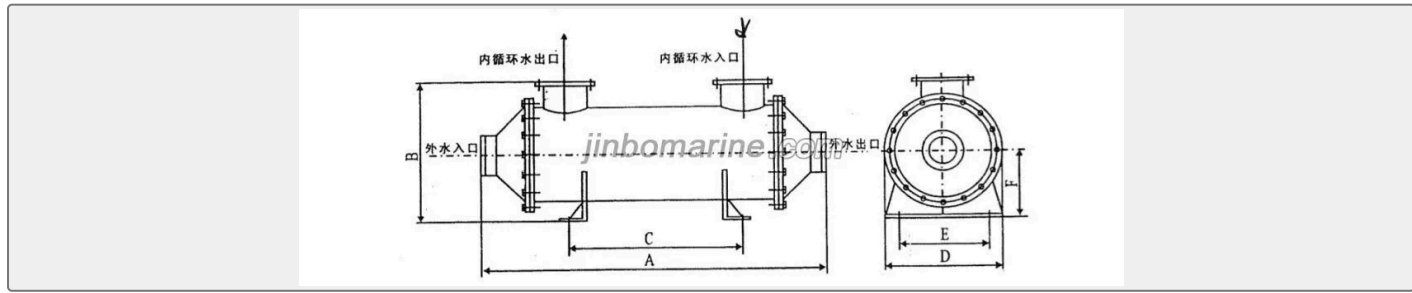
We can supply according to your requirement, drawings, class certificate needs, and delivery schedule.

### Technical Specifications

Category	Heat Exchanger	Model / SKU	K2000-K4000-Heat-Exchanger
Standard	EN	Certificate	ABS, LR, BV, DNVGL, NK, KR, IRS, RMRS, CCS
Warranty	12 Months unless specified otherwise	Origin	China

### China K2000 K4000 Heat Exchanger:

K2000 K4000 Heat Exchanger used for Diesel engine of 1800HP to 4000HP.



Type	A(mm)	B(mm)	C(mm)	D(mm)	E(mm)	F(mm)	Cooling Area(m2)
K2000	1350	563	700	460	360	269	14.5
K4000	1882	563	1000	460	360	269	29.4