

Jinbo Marine

Marine & Offshore Equipment Datasheet

PRODUCT DATASHEET

MARINE KITCHEN GALLEY

K7 Marine Multi-Purpose Machine

K7 Marine Multi-Purpose Machine 1. The planetary movement of the agitator, so that the food can be fully mixed 2. It adopts mechanical speed change, has multi-level speed, and is equipped with three types of agita...

ISO9001 Supplier

Class Certificate

Export Supply



Key Highlights

Category	Marine Kitchen Galley
Standard	EN
Material	SS
Weight / Size	The base form is suitable for installation and fixing on ships K7 Marine...
Certificate	ABS, LR, BV, DNVGL, NK, KR, IRS, RMRS, CCS

We can supply according to your requirement, drawings, class certificate needs, and delivery schedule.



Technical Specifications			
Category	Marine Kitchen Galley	Model / SKU	K7-Marine-Multi-Purpose-Machine
Standard	EN	Material	SS
Weight / Size	The base form is suitable for installation and fixing on ships K7 Marine Multi-Purpose Machine Drawing K7 Marine Multi-Purpose Machine Parameters Model K7 AE-20N AE-30N AE-40N AE-60N Volume(L) 7 20 30 40 60 Voltage 220v-1PH-50Hz 220V-1PH-50Hz 380/415V-3PH-50Hz 440/480V/3PH-60Hz 380/415V-3PH-50Hz 440/480V/3PH-60Hz Power(kw) 0.37 1.1 1 1.5 3 Size(mm) 460X290X470 560X600X780 625X610X945 570X615X1130 700X1050X1445 Weight(kg) 29 100 180 180 410	Certificate	ABS, LR, BV, DNVGL, NK, KR, IRS, RMRS, CCS
Warranty	12 Months unless specified otherwise	Origin	China

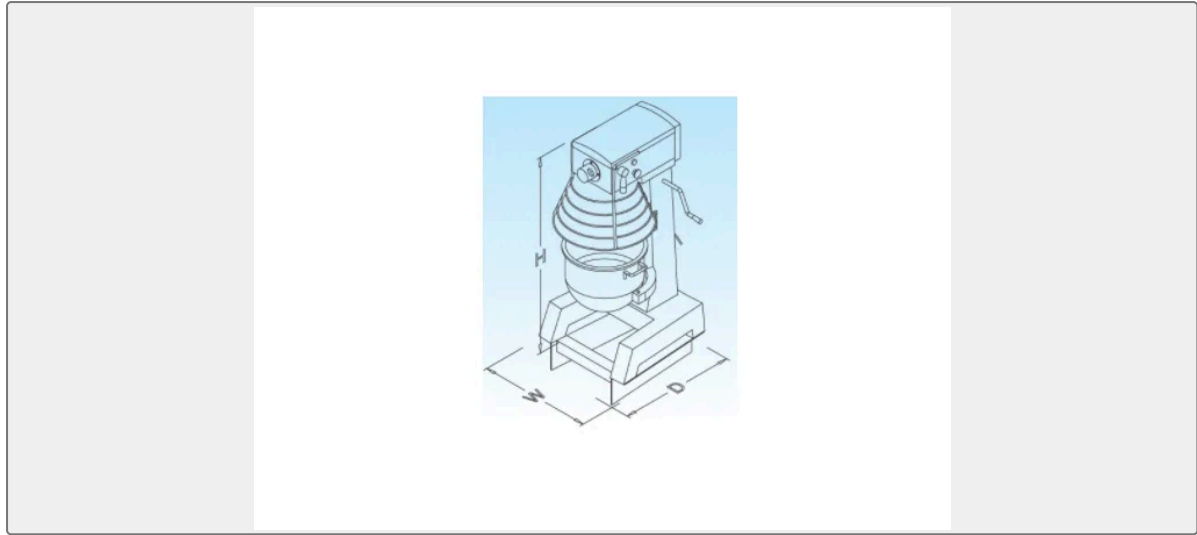
CONTENTS	<ul style="list-style-type: none"> ■ K7 Marine Multi-Purpose Machine ■ K7 Marine Multi-Purpose Machine Parameters 	<ul style="list-style-type: none"> ■ K7 Marine Multi-Purpose Machine Drawing
-----------------	---	---

K7 Marine Multi-Purpose Machine

1. The planetary movement of the agitator, so that the food can be fully mixed
2. It adopts mechanical speed change, has multi-level speed, and is equipped with three types of agitators: snake-shaped, beat-shaped, and flower-bud
3. Stainless steel mixing barrel
4. A safety net cover is set on the mixing barrel
5. The base form is suitable for installation and fixing on ships



K7 Marine Multi-Purpose Machine Drawing



K7 Marine Multi-Purpose Machine Parameters

Model	K7	AE-20N	AE-30N	AE-40N	AE-60N
Volume(L)	7	20	30	40	60
Voltage	220v-1PH-50Hz	220V-1PH-50Hz 380/415V-3PH-50Hz 440/480V/3PH-60Hz		380/415V-3PH-50Hz	440/480V/3PH-60Hz
Power(kw)	0.37	1.1	1	1.5	3
Size(mm)	460X290X470	560X600X780	625X610X945	570X615X1130	700X1050X1445
Weight(kg)	29	100	180	180	410