

# Jinbo Marine

Marine &amp; Offshore Equipment Datasheet

PRODUCT DATASHEET

## CHJ MAN OVERBOARD ALARM SYSTEM

# KBJ-2 Personnel Alarm Controller

KBJ-2 Personnel Alarm Controller Overtime alarm time sequence: 0.5s on 0.5s off and repeat  
Power failure alarm time sequence: 1s on 1s off and repeat Pre-alarm and main alarm power  
...

ISO9001 Supplier

Class Certificate

Export Supply



### Key Highlights

**Category** CHJ Man Overboard Alarm System

**Standard** EN

**Weight / Size** Black ( RAL9005 ) IP class:IP20 Weight:0.9Kg Power:

**Certificate** ABS, LR, BV, DNVGL, NK, KR, IRS, RMRS, CCS

We can supply according to your requirement, drawings, class certificate needs, and delivery schedule.

### Technical Specifications

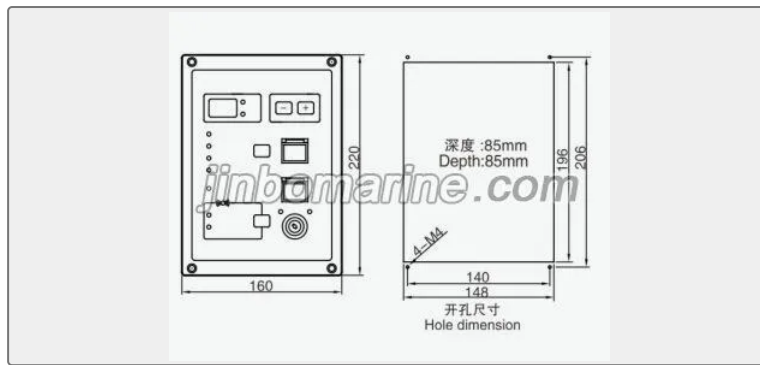
<b>Category</b>	CHJ Man Overboard Alarm System	<b>Model / SKU</b>	KBJ-2-Personnel-Alarm-Controller
<b>Standard</b>	EN	<b>Weight / Size</b>	Black ( RAL9005 ) IP class:IP20 Weight:0.9Kg Power:
<b>Certificate</b>	ABS, LR, BV, DNVGL, NK, KR, IRS, RMRS, CCS	<b>Warranty</b>	12 Months unless specified otherwise
<b>Origin</b>	China		

## China KBJ-2 Personnel Alarm Controller:

KBJ-2 Personnel Alarm Controller



0.082397s



Overtime alarm time sequence: 0.5s on 0.5s off and repeat

Power failure alarm time sequence: 1s on 1s off and repeat

Pre-alarm and main alarm power output: DC24V/2A

Pre-alarm and main alarm passive output contact capacity:DC30V/2A,AC125V/1A

Alarm sound pressure level:more than  $\geq 75$ dB

Main power:DC24V-25% +30%

Emergency power:DC24V -25% +30%

Color: Black ( RAL9005 )

IP class:IP20

Weight:0.9Kg

Power: 8W