

Jinbo Marine

Marine & Offshore Equipment Datasheet

PRODUCT DATASHEET

BRIDGE NAVIGATIONAL WATCH ALARM SYSTEM

KBJ-3 BNWAS Controller

KBJ-3 BNWAS Controller Ambient condition: Equipment should be used in the following ambient condition: a) Ambient temperature:0°C ~ +55 °C; b) Relative humidity:≤95%; c) Atm...

ISO9001 Supplier

Class Certificate

Export Supply



Key Highlights

Category	Bridge Navigational Watch Alarm System
Standard	EN
Weight / Size	Black (RAL9005) IP class:IP20 Weight:1.22Kg Power:8W
Certificate	ABS, LR, BV, DNVGL, NK, KR, IRS, RMRS, CCS

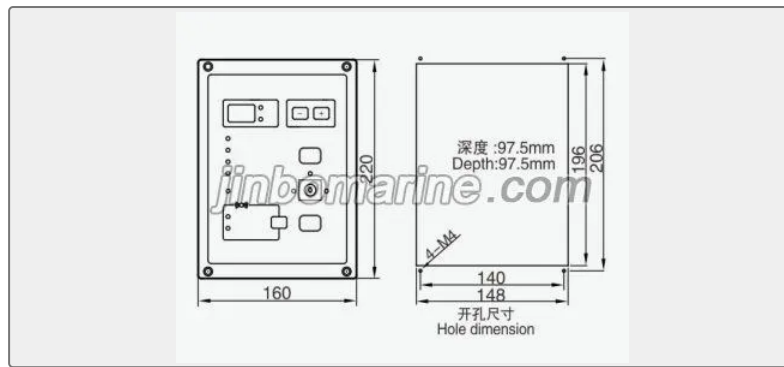
We can supply according to your requirement, drawings, class certificate needs, and delivery schedule.

Technical Specifications

Category	Bridge Navigational Watch Alarm System	Model / SKU	KBJ-3-BNWAS-Controller
Standard	EN	Weight / Size	Black (RAL9005) IP class:IP20 Weight:1.22Kg Power:8W
Certificate	ABS, LR, BV, DNVGL, NK, KR, IRS, RMRS, CCS	Warranty	12 Months unless specified otherwise
Origin	China		

China KBJ-3 BNWAS Controller:

KBJ-3 BNWAS Controller



Ambient condition:

Equipment should be used in the following ambient condition:

- a) Ambient temperature: 0°C ~ +55 °C;
- b) Relative humidity: ≤95%;
- c) Atmospheric pressure: 86 kPa ~ 106 kPa;

Power supply :

Main Power: DC24V-25% +30% , Emergency Power: DC24V -25% +30%

Alarm sound pressure level: 80dB(A) ~ 90dB(A)

Second-class, third-class alarm power output: 24VDC/2A

Second-class, third-class alarm passive contact output capacity: 30VDC/2A, 125VAC/1A

Button box: ≤2W

Extension alarm unit: ≤2W

Color: Black (RAL9005)

IP class: IP20

Weight: 1.22Kg

Power: 8W