

# Jinbo Marine

Marine & Offshore Equipment Datasheet

PRODUCT DATASHEET

## CKY MARINE PUBLIC ADDRESS SYSTEM

# KC-1Q MIC At Port And Starboard

KC-1Q MIC At Port And Starboard Color: Black ( RAL9005 ) IP class: IP20 Weight: 0.6Kg

Cord length: 5m/10m/15m

ISO9001 Supplier

Class Certificate

Export Supply



### Key Highlights

Category	CKY Marine Public Address System
Standard	EN
Weight / Size	IP20 Weight:
Certificate	ABS, LR, BV, DNVGL, NK, KR, IRS, RMRS, CCS

We can supply according to your requirement, drawings, class certificate needs, and delivery schedule.

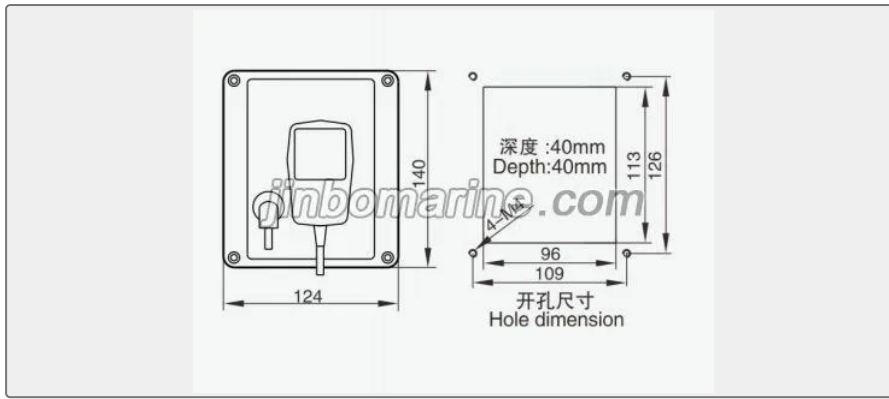
### Technical Specifications

Category	CKY Marine Public Address System	Model / SKU	KC-1Q-MIC-At-Port-And-Starboard
Standard	EN	Weight / Size	IP20 Weight:
Certificate	ABS, LR, BV, DNVGL, NK, KR, IRS, RMRS, CCS	Warranty	12 Months unless specified otherwise
Origin	China		

## China KC-1Q MIC At Port And Starboard:

KC-1Q MIC At Port And Starboard





Color: Black ( RAL9005 )

IP class: IP20

Weight: 0.6Kg

Cord length: 5m/10m/15m