

# Jinbo Marine

Marine &amp; Offshore Equipment Datasheet

PRODUCT DATASHEET

## YD MARINE WIRED TALK-BACK

## KD-1 Talkback Main Unit

KD-1 Talkback Main Unit  
 Rated output power of power amplifier:  $\geq 50W$  Output power of mainunit speaker:  $\geq 1W$  Rated output voltage: constant voltage 120V Noise level:  $\leq -40dB$  ...

ISO9001 Supplier

Class Certificate

Export Supply



### Key Highlights

Category	YD Marine Wired Talk-Back
Standard	EN
Weight / Size	Black ( RAL9005 ) IP class:IP20 Weight:12Kg Power: $\leq 100W$
Certificate	ABS, LR, BV, DNVGL, NK, KR, IRS, RMRS, CCS

We can supply according to your requirement, drawings, class certificate needs, and delivery schedule.

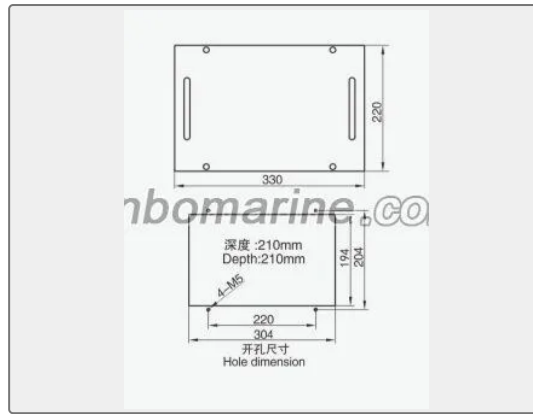
### Technical Specifications

Category	YD Marine Wired Talk-Back	Model / SKU	KD-1-Talkback-Main-Unit
Standard	EN	Weight / Size	Black ( RAL9005 ) IP class:IP20 Weight:12Kg Power: $\leq 100W$
Certificate	ABS, LR, BV, DNVGL, NK, KR, IRS, RMRS, CCS	Warranty	12 Months unless specified otherwise
Origin	China		

### China KD-1 Talkback Main Unit:

KD-1 Talkback Main Unit





Rated output power of power amplifier:  $\geq 50W$

Output power of mainunit speaker:  $\geq 1W$

Rated output voltage: constant voltage 120V

Noise level:  $\leq -40dB$

Nonlinear distortion:  $\leq 7\%$

Frequency characteristic: 200Hz ~ 5000Hz

Call signal is 800 $\pm$  100Hz intermittent tone

Capacity: 8 lines

Main power: AC220V $\pm 10\%$

Emergency power: DC24V -25% +30%

Color: Black (RAL9005)

IP class: IP20

Weight: 12Kg

Power:  $\leq 100W$