

Jinbo Marine

Marine & Offshore Equipment Datasheet

PRODUCT DATASHEET

YD MARINE WIRED TALK-BACK

KD-1FF Weatherproof Talkback Extension

ISO9001 Supplier

Class Certificate

Export Supply

KD-1FF Weatherproof Talkback Extension Rated output power:≥1W Noise level:≤-40dB
 Nonlinear distortion:≤5% Frequency characteristic: 200Hz ~ 5000Hz Frequency response
 rela...



Key Highlights

Category	YD Marine Wired Talk-Back
Standard	EN
Weight / Size	Sea gray (B05) IP class:IP56 Weight:7.0Kg Power:
Certificate	ABS, LR, BV, DNVGL, NK, KR, IRS, RMRS, CCS

We can supply according to your requirement, drawings, class certificate needs, and delivery schedule.

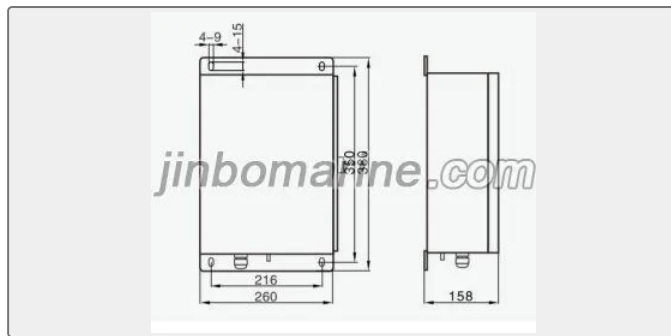
Technical Specifications

Category	YD Marine Wired Talk-Back	Model / SKU	KD-1FF-Weatherproof-Talkback-Extension
Standard	EN	Weight / Size	Sea gray (B05) IP class:IP56 Weight:7.0Kg Power:
Certificate	ABS, LR, BV, DNVGL, NK, KR, IRS, RMRS, CCS	Warranty	12 Months unless specified otherwise
Origin	China		

China KD-1FF Weatherproof Talkback Extension:

KD-1FF Weatherproof Talkback Extension





Rated output power: $\geq 1W$

Noise level: $\leq -40dB$

Nonlinear distortion: $\leq 5\%$

Frequency characteristic: 200Hz ~ 5000Hz

Frequency response relative to 800Hz is $\pm 3dB$

Color: Sea gray (B05)

IP class: IP56

Weight: 7.0Kg

Power: 2W

Stuffing box cable entrance hole size: 1- $\Phi 14mm$; 1- $\Phi 18mm$