

# Jinbo Marine

Marine &amp; Offshore Equipment Datasheet

PRODUCT DATASHEET

YD MARINE WIRED TALK-BACK

## KD-4FF Weatherproof Talkback Extension

ISO9001 Supplier

Class Certificate

Export Supply

KD-4FF Weatherproof Talkback Extension Nonlinear distortion:≤10% Operating vltage: DC24V-25% +30% Color: Sea gray ( B05 ) IP class:IP56 Weight:7.0Kg Power:5W Tu...



### Key Highlights

Category	YD Marine Wired Talk-Back
Standard	EN
Weight / Size	Sea gray ( B05 ) IP class:IP56 Weight:7.0Kg Power:5W Tuffing box cable entr...
Certificate	ABS, LR, BV, DNVGL, NK, KR, IRS, RMRS, CCS

We can supply according to your requirement, drawings, class certificate needs, and delivery schedule.

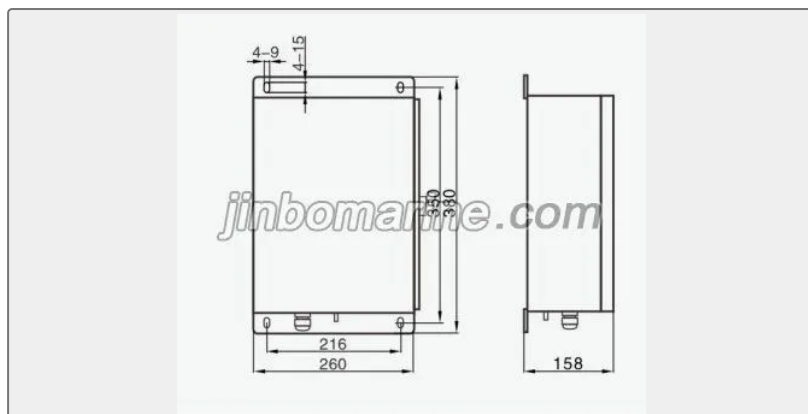
### Technical Specifications

Category	YD Marine Wired Talk-Back	Model / SKU	KD-4FF-Weatherproof-Talkback-Extension
Standard	EN	Weight / Size	Sea gray ( B05 ) IP class:IP56 Weight:7.0Kg Power:5W Tuffing box cable entrance hole size:
Certificate	ABS, LR, BV, DNVGL, NK, KR, IRS, RMRS, CCS	Warranty	12 Months unless specified otherwise
Origin	China		

### China KD-4FF Weatherproof Talkback Extension:

KD-4FF Weatherproof Talkback Extension





Nonlinear distortion:  $\leq 10\%$

Operating voltage: DC24V-25% +30%

Color: Sea gray ( B05 )

IP class: IP56

Weight: 7.0Kg

Power: 5W

Tuffing box cable entrance hole size: 1- $\Phi 14$ mm; 1- $\Phi 18$ mm