

Jinbo Marine

Marine & Offshore Equipment Datasheet

PRODUCT DATASHEET

YD MARINE WIRED TALK-BACK

KD-4FJG Noise-Proof Talkback Extension

ISO9001 Supplier

Class Certificate

Export Supply

KD-4FJG Noise-Proof Talkback Extension Nonlinear distortion:≤10% Operating vltage: DC24V -25% +30% Color: Black (RAL9005) IP class:IP44 Weight:2.5Kg Power: 5W ...



Key Highlights

Category	YD Marine Wired Talk-Back
Standard	EN
Weight / Size	Black (RAL9005) IP class:IP44 Weight:2.5Kg Power:
Certificate	ABS, LR, BV, DNVGL, NK, KR, IRS, RMRS, CCS

We can supply according to your requirement, drawings, class certificate needs, and delivery schedule.

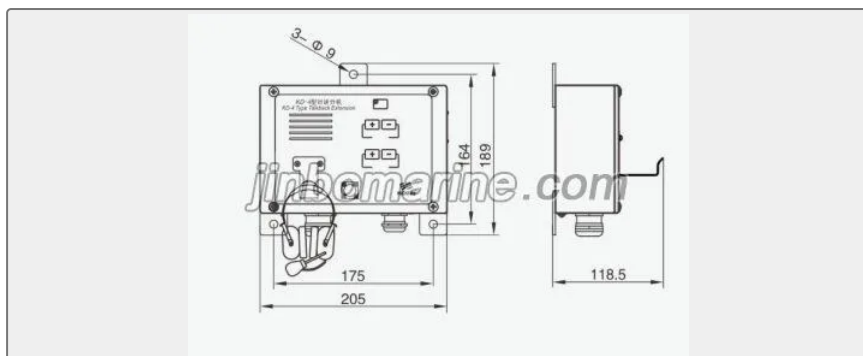
Technical Specifications

Category	YD Marine Wired Talk-Back	Model / SKU	KD-4FJG-Noise-Proof-Talkback-Extension
Standard	EN	Weight / Size	Black (RAL9005) IP class:IP44 Weight:2.5Kg Power:
Certificate	ABS, LR, BV, DNVGL, NK, KR, IRS, RMRS, CCS	Warranty	12 Months unless specified otherwise
Origin	China		

China KD-4FJG Noise-Proof Talkback Extension:

KD-4FJG Noise-Proof Talkback Extension





Nonlinear distortion: $\leq 10\%$

Operating voltage: DC24V -25% +30%

Color: Black (RAL9005)

IP class: IP44

Weight: 2.5Kg

Power: 5W

Tuffing box cable entrance hole size: 1- $\Phi 14$ mm; 1- $\Phi 18$ mm