

Jinbo Marine

Marine & Offshore Equipment Datasheet

PRODUCT DATASHEET

YD MARINE WIRED TALK-BACK

KD-4FM Interface Box

KD-4FM Interface Box Explosion-proof class:Ex ib Gb II B Power supply: DC24V -25% +30%
Color: Green gray (RAL6034) IP class:IP44 Weight:3.88Kg Power:≤15W ...

ISO9001 Supplier

Class Certificate

Export Supply



Key Highlights

| | |
|---------------|---|
| Category | YD Marine Wired Talk-Back |
| Standard | GB |
| Weight / Size | Green gray (RAL6034) IP class:IP44 Weight:3.88Kg Power:≤15W Stuffing box... |
| Certificate | ABS, LR, BV, DNVGL, NK, KR, IRS, RMRS, CCS |

We can supply according to your requirement, drawings, class certificate needs, and delivery schedule.

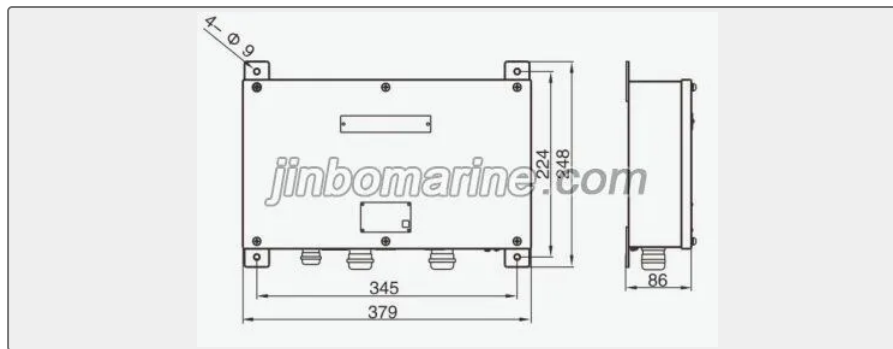
Technical Specifications

| | | | |
|-------------|--|---------------|--|
| Category | YD Marine Wired Talk-Back | Model / SKU | KD-4FM-Interface-Box |
| Standard | GB | Weight / Size | Green gray (RAL6034) IP class:IP44 Weight:3.88Kg Power:≤15W Stuffing box cable entrance hole size:1-Φ14mm,2-Φ18mm Um=250V Uo=14.85V Io=125mA Po=465mW Co=3.65uF Lo=0.9mH |
| Certificate | ABS, LR, BV, DNVGL, NK, KR, IRS, RMRS, CCS | Warranty | 12 Months unless specified otherwise |
| Origin | China | | |

China KD-4FM Interface Box:

KD-4FM Interface Box





Explosion-proof class: Ex ib Gb II B

Power supply: DC24V -25% +30%

Color: Green gray (RAL6034)

IP class: IP44

Weight: 3.88Kg

Power: ≤ 15 W

Stuffing box cable entrance hole size: 1- $\Phi 14$ mm, 2- $\Phi 18$ mm

$U_m = 250$ V $U_o = 14.85$ V $I_o = 125$ mA

$P_o = 465$ mW $C_o = 3.65$ μ F $L_o = 0.9$ mH