

Jinbo Marine

Marine & Offshore Equipment Datasheet

PRODUCT DATASHEET

GENERAL EMERGENCY ALARM SYSTEM

KG-1JYF Weatherproof Alarm Remote Control Box

ISO9001 Supplier

Class Certificate

Export Supply

KG-1JYF Weatherproof Alarm Remote Control Box Color: Sea gray (B05) IP class: IP56
 Weight: 3.6Kg Power: 0.1W Stuffing box cable entrance hole size: 1-Φ14mm;1-Φ18mm



Key Highlights

Category	General Emergency Alarm System
Standard	EN
Weight / Size	KG-1JYF Weatherproof Alarm Remote Control Box Color:
Certificate	ABS, LR, BV, DNVGL, NK, KR, IRS, RMRS, CCS

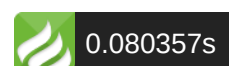
We can supply according to your requirement, drawings, class certificate needs, and delivery schedule.

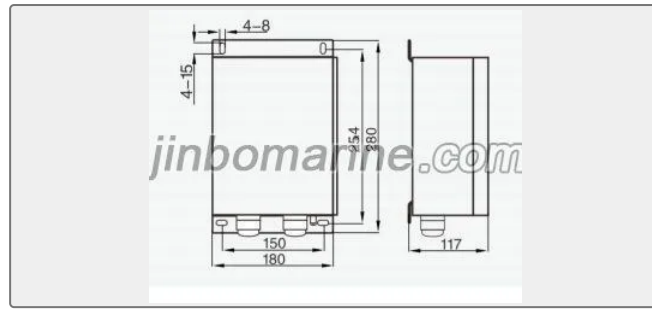
Technical Specifications

Category	General Emergency Alarm System	Model / SKU	KG-1JYF-Weatherproof-Alarm-Remote-Control-Box
Standard	EN	Weight / Size	KG-1JYF Weatherproof Alarm Remote Control Box Color:
Certificate	ABS, LR, BV, DNVGL, NK, KR, IRS, RMRS, CCS	Warranty	12 Months unless specified otherwise
Origin	China		

China KG-1JYF Weatherproof Alarm Remote Control Box:

KG-1JYF Weatherproof Alarm Remote Control Box





Color: Sea gray (B05)

IP class: IP56

Weight: 3.6Kg

Power: 0.1W

Stuffing box cable entrance hole size: 1- Φ 14mm;1- Φ 18mm