

Jinbo Marine

Marine & Offshore Equipment Datasheet

PRODUCT DATASHEET

CKY MARINE PUBLIC ADDRESS SYSTEM

KG-4 Public Address System Host

KG-4 Public Address System Host Nonlinear distortion:Pout=fo=1KHz:≤10% Signal to noise ratio : ≥46dB Frequency response:150Hz~5KHz:±2dB Input signal:0.7V±0.1V Output volt...

ISO9001 Supplier

Class Certificate

Export Supply



Key Highlights

Category	CKY Marine Public Address System
Standard	EN
Weight / Size	KG-4 Public Address System Host Nonlinear distortion:Pout=fo=1KHz:≤10% S...
Certificate	ABS, LR, BV, DNVGL, NK, KR, IRS, RMRS, CCS

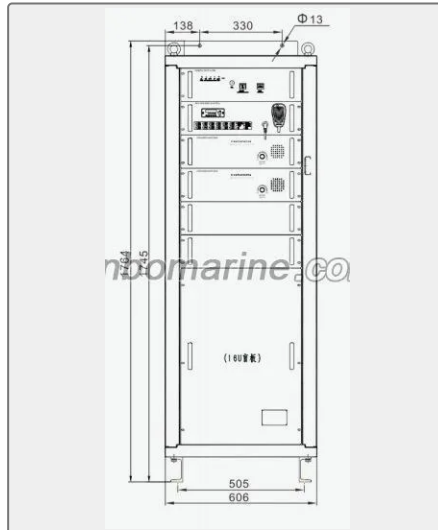
We can supply according to your requirement, drawings, class certificate needs, and delivery schedule.

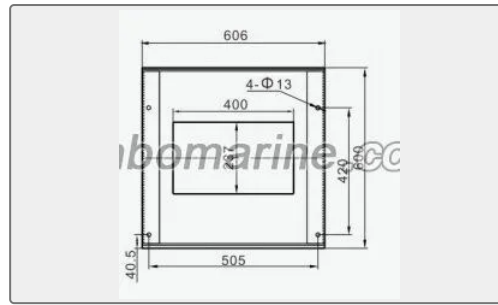


Technical Specifications			
Category	CKY Marine Public Address System	Model / SKU	KG-4-Public-Address-System-Host
Standard	EN	Weight / Size	KG-4 Public Address System Host Nonlinear distortion:Pout=fo=1KHz:≤10% Signal to noise ratio : ≥46dB Frequency response:150Hz~5KHz:±2dB Input signal:0.7V±0.1V Output voltage : 120V±5V Output power:2×100W、2×200W、 2×300W、 2×500W、 2×1000W Radio frequency range:FM87.5MHZ-108MHZ Main power supply:AC220V+10% Emergency power supply:AC220V±10%/DC24V+30% -25% Color:
Certificate	ABS, LR, BV, DNVGL, NK, KR, IRS, RMRS, CCS	Warranty	12 Months unless specified otherwise
Origin	China		

China KG-4 Public Address System Host:

KG-4 Public Address System Host





Nonlinear distortion: $P_{out}=f_o=1\text{KHz}:\leq 10\%$

Signal to noise ratio : $\geq 46\text{dB}$

Frequency response: $150\text{Hz}\sim 5\text{KHz}:\pm 2\text{dB}$

Input signal: $0.7\text{V}\pm 0.1\text{V}$

Output voltage : $120\text{V}\pm 5\text{V}$

Output power: $2\times 100\text{W}$ 、 $2\times 200\text{W}$ 、 $2\times 300\text{W}$ 、 $2\times 500\text{W}$ 、 $2\times 1000\text{W}$

Radio frequency range: $\text{FM}87.5\text{MHZ}\sim 108\text{MHZ}$

Main power supply: $\text{AC}220\text{V}\pm 10\%$

Emergency power supply: $\text{AC}220\text{V}\pm 10\%/\text{DC}24\text{V}\pm 30\%\sim 25\%$

Color: Light gray (RAL7035)

IP class: IP20

Weight: 210Kg

Power: $400\text{W}/800\text{W}/1200\text{W}/1500\text{W}/3000\text{W}$

Controller	Power amplifier	Cabien	Output power
KPA-1002	KPA-A100	CAB-1600	2X100W
KPA-1002	KPA-A200	CAB-1600	2X200W
KPA-1002	KPA-A300	CAB-1600	2X300W
KPA-1002	KPA-A500	CAB-1600	2X500W
KPA-1002	KPA-A1000	CAB-1600	2X1000W