

Jinbo Marine

Marine & Offshore Equipment Datasheet

PRODUCT DATASHEET

CKY MARINE PUBLIC ADDRESS SYSTEM

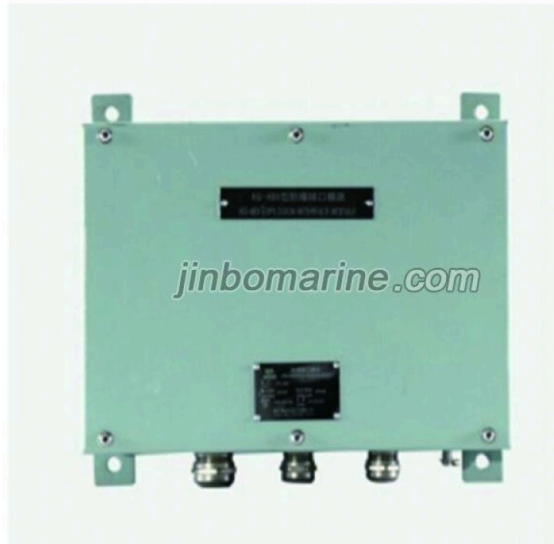
KG-4BX Explosion-Proof Interface Module

ISO9001 Supplier

Class Certificate

Export Supply

KG-4BX Explosion-Proof Interface Module Built-in AQ-1 safety barrier Explosion-proof mark: [EXib]IIC Gb Power supply : DC24V Color: Green gray (RAL6034) IP class:IP44 Weight...



Key Highlights

Category	CKY Marine Public Address System
Standard	GB
Weight / Size	KG-4BX Explosion-Proof Interface Module Built-in AQ-1 safety barrier Exp...
Certificate	ABS, LR, BV, DNVGL, NK, KR, IRS, RMRS, CCS

We can supply according to your requirement, drawings, class certificate needs, and delivery schedule.

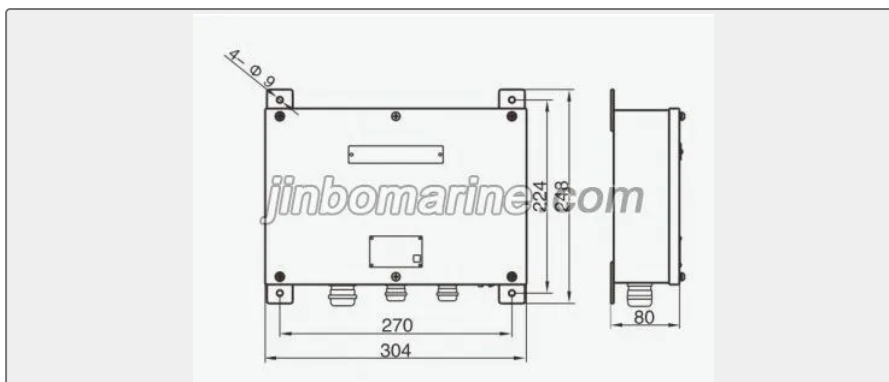
Technical Specifications

Category	CKY Marine Public Address System	Model / SKU	KG-4BX-Explosion-Proof-Interface-Module
Standard	GB	Weight / Size	KG-4BX Explosion-Proof Interface Module Built-in AQ-1 safety barrier Explosion-proof mark:[EXib]IIC Gb Power supply : DC24V Color:
Certificate	ABS, LR, BV, DNVGL, NK, KR, IRS, RMRS, CCS	Warranty	12 Months unless specified otherwise
Origin	China		

China KG-4BX Explosion-Proof Interface Module:

KG-4BX Explosion-Proof Interface Module





Built-in AQ-1 safety barrier

Explosion-proof mark:[EXib]IIC Gb

Power supply : DC24V

Color: Green gray (RAL6034)

IP class:IP44

Weight:4Kg

Power:≤5W

Stuffing box cable entrance hole size:2-14Φmm,1-18Φmm