

Jinbo Marine

Marine & Offshore Equipment Datasheet

PRODUCT DATASHEET

HOSPITAL CALLING ALARM SYSTEM

KHC-5G Hospital Call Controller

KHC-5G Hospital Call Controller Operating voltage:DC24V -25% +30% Color: Green gray (RAL7035) IP class:IP44 Weight:3.4Kg Power:≤15W Stuffing box cable entrance hole...

ISO9001 Supplier

Class Certificate

Export Supply



Key Highlights

Category	Hospital Calling Alarm System
Standard	EN
Weight / Size	Green gray (RAL7035) IP class:IP44 Weight:3.4Kg Power:≤15W Stuffing box c...
Certificate	ABS, LR, BV, DNVGL, NK, KR, IRS, RMRS, CCS

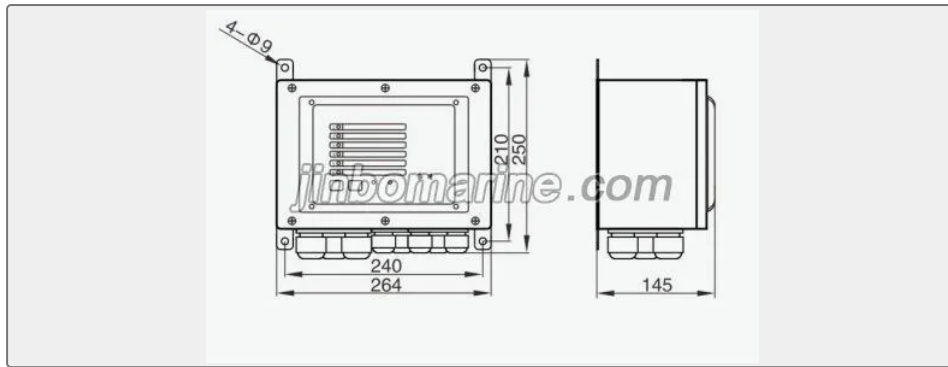
We can supply according to your requirement, drawings, class certificate needs, and delivery schedule.

Technical Specifications

Category	Hospital Calling Alarm System	Model / SKU	KHC-5G-Hospital-Call-Controller
Standard	EN	Weight / Size	Green gray (RAL7035) IP class:IP44 Weight:3.4Kg Power:≤15W Stuffing box cable entrance hole size:
Certificate	ABS, LR, BV, DNVGL, NK, KR, IRS, RMRS, CCS	Warranty	12 Months unless specified otherwise
Origin	China		

China KHC-5G Hospital Call Controller:

KHC-5G Hospital Call Controller



Operating voltage:DC24V -25% +30%

Color: Green gray (RAL7035)

IP class:IP44

Weight:3.4Kg

Power:≤15W

Stuffing box cable entrance hole size: 10-Φ14mm;5-Φ18mm