

Jinbo Marine

Marine & Offshore Equipment Datasheet

PRODUCT DATASHEET

MARINE AUTOMATIC TELEPHONE SYSTEM

KJ-1/2/3/4 Auto Telephone Exchanger

KJ-1/2/3/4 Auto Telephone Exchanger Signal tone: 450 ± 25Hz Sine wave
 Ringing current voltage:75 ±10V、 25 ±3Hz Transmission loss:≤2dB ...

ISO9001 Supplier

Class Certificate

Export Supply



Key Highlights

Category	Marine Automatic Telephone System
Standard	EN
Weight / Size	40/60/100W IP class:IP20/IP22 Weight:
Certificate	ABS, LR, BV, DNVGL, NK, KR, IRS, RMRS, CCS

We can supply according to your requirement, drawings, class certificate needs, and delivery schedule.

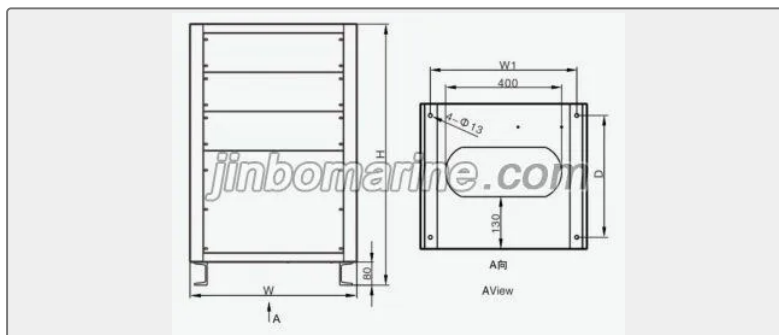
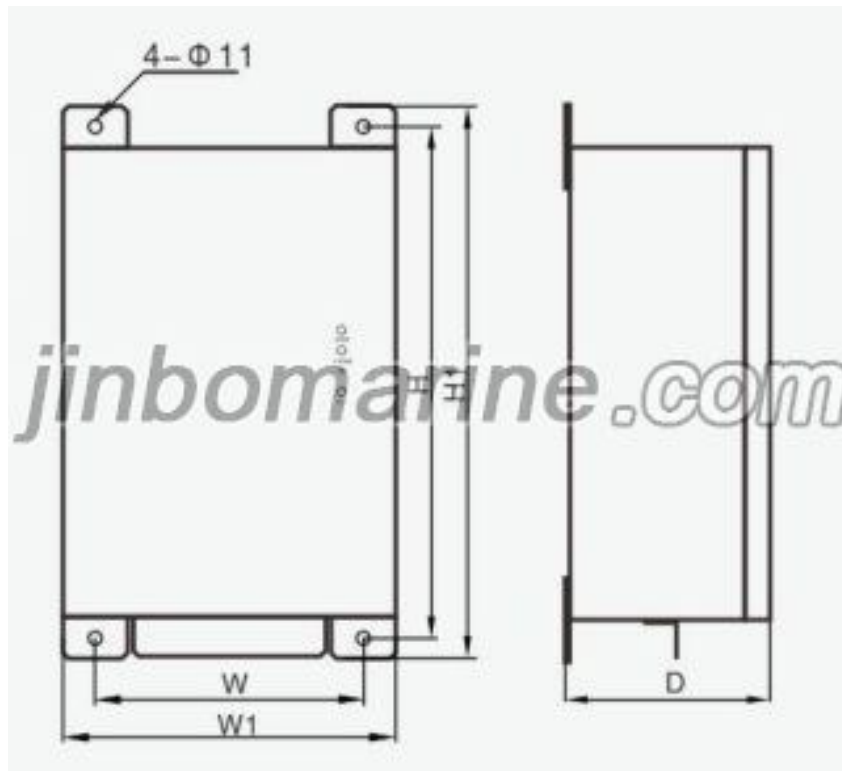
Technical Specifications

Category	Marine Automatic Telephone System	Model / SKU	KJ-1-2-3-4-Auto-Telephone-Exchanger
Standard	EN	Weight / Size	40/60/100W IP class:IP20/IP22 Weight:
Certificate	ABS, LR, BV, DNVGL, NK, KR, IRS, RMRS, CCS	Warranty	12 Months unless specified otherwise
Origin	China		

China KJ-1/2/3/4 Auto Telephone Exchanger:

KJ-1/2/3/4 Auto Telephone Exchanger





Signal tone: $450 \pm 25\text{Hz}$ Sine wave

Ringing current voltage: $75 \pm 10\text{V}$ 、 $25 \pm 3\text{Hz}$

Transmission loss: $\leq 2\text{dB}$

Crosstalk loss: $\geq 68\text{dB}$

Subscriber feedback voltage: 24V

Color: Green gray (RAL6034)

Main power: $\text{AC}220\text{V} \pm 10\%$

Emergency power: $\text{DC}24\text{V} -25\% +30\%$

Maximum power loss: 40/60/100W

IP class: IP20/IP22

Weight: 17.3/24.5/27.5/42Kg

Power: KJ-1 $\leq 48\text{W}$



KJ-2≤68W

Power consumption for KJ-3/4:20w,Each telephone:1W

Mounting Size

Model	H	H1	W	W1	D	Capacity	installation
KJ - 1	487	527	254	314	187	≤24	wall type
KJ-2	563	603	330	390	187	≤48	
KJ-3	623	663	382	442	315	≤88	
KJ-3	900	575	505	420	≥128	cabinet type	
KJ-4	For IP telephone						