

Jinbo Marine

Marine & Offshore Equipment Datasheet

PRODUCT DATASHEET

MARINE TOOLS

KLCD Series-Hollow Torque Wrench

KLCD Series-Hollow Torque Wrench Aviation aluminum titanium alloy, integrated molding body,high strength, high toughness. Precise check button structure to overcome tool reverse phenom...

ISO9001 Supplier

Class Certificate

Export Supply



jinbomarine.com

Key Highlights

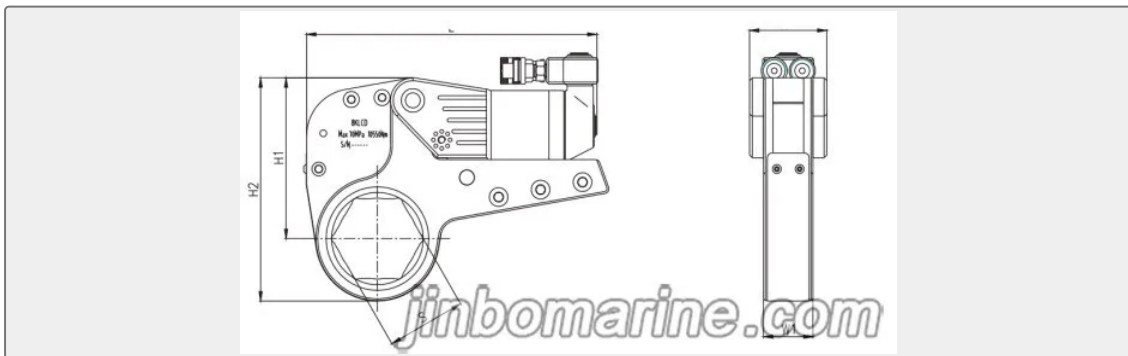
Category	Marine Tools
Standard	DIN
Weight / Size	Model 2KLCD 3KLCD 4KLCD 8KLCD 14KLCD 18KLCD 20KLCD 30KLCD 40KL...
Certificate	ABS, LR, BV, DNVGL, NK, KR, IRS, RMRS, CCS

We can supply according to your requirement, drawings, class certificate needs, and delivery schedule.

Technical Specifications			
Category	Marine Tools	Model / SKU	KLCD-Series-Hollow-Torque-Wrench
Standard	DIN	Weight / Size	Model 2KLCD 3KLCD 4KLCD 8KLCD 14KLCD 18KLCD 20KLCD 30KLCD 40KLCD 45KLCD 60KLCD TorqueNm 237 345 546 1055 1848 2481 2909 4231 5209 6057 8415 2370 3446 5458 10550 18484 24814 29089 42311 52088 60566 84150 Nuts RangeS 36-55 36-60 46-80 70-105 80-115 85-120 90-130 95-145 120- 145 130-155 135-180 Weight ofPower HeadKg 0.8 0.8 1.9 4.2 6.8 8.1 10.5 12.7 15.2 16.3 23 Weight ofWorking HeadKg 1.5 1.7 3.6 7.6 12.2 19.3 22.3 32.3 47.5 58.7 75 L 192 218 266 324 382 404 427 479 479 486 514 H1 105 118 139 171 205 229 240 268 285 311 336 H2 147 156 167 198 231 255 265 289 302 352 375 W1 32 32 42 53 64 68 70 85 98 108 117 W2 50 50 66 83 99 105 110 132 148 160 177
Certificate	ABS, LR, BV, DNVGL, NK, KR, IRS, RMRS, CCS	Warranty	12 Months unless specified otherwise
Origin	China		

China KLCD Series-Hollow Torque Wrench:

KLCD Series-Hollow Torque Wrench



Aviation aluminum titanium alloy, integrated molding body, high strength, high toughness.

Precise check button structure to overcome tool reverse phenomenon caused by bolt torsion springback.

360°x 180°rotatable tubing joint, no space restriction, one-piece lengthening design, more longer force arm, more portable.

The working head and the reaction fulcruct force structure design improves the service life.

Torque constant output, torque repeatability accuracy $\pm 3\%$.

A variety of working heads can be replaced, and the reaction arm can also be customized according to the site space.

Model	2KLCD	3KLCD	4KLCD	8KLCD	14KLC D	18KLCD	20KLCD	30KLCD	40KLC D	45KLC D	60KLC D
Torque Nm	237	345	546	1055	1848	2481	2909	4231	5209	6057	8415
	2370	3446	5458	10550	18484	24814	29089	42311	52088	60566	84150
Nuts Range S	36-55	36-60	46-80	70-105	80-115	85-120	90-130	95-145	120- 145	130- 155	135- 180
Weight of Power Head Kg	0.8	0.8	1.9	4.2	6.8	8.1	10.5	12.7	15.2	16.3	23
Weight of Working Head Kg	1.5	1.7	3.6	7.6	12.2	19.3	22.3	32.3	47.5	58.7	75
L	192	218	266	324	382	404	427	479	479	486	514
H1	105	118	139	171	205	229	240	268	285	311	336
H2	147	156	167	198	231	255	265	289	302	352	375
W1	32	32	42	53	64	68	70	85	98	108	117
W2	50	50	66	83	99	105	110	132	148	160	177