

# Jinbo Marine

Marine & Offshore Equipment Datasheet

PRODUCT DATASHEET

## FIRE DETECTION AND ALARM SYSTEM

# KNS9007 Safety Barrier

KNS9007 Safety Barrier Model: KNS9007 Function description: For explosion-proof detector or call point. be connected before explosion-proof detector or call point. Be mounted in safety area. ...

ISO9001 Supplier

Class Certificate

Export Supply



### Key Highlights

Category	Fire Detection and Alarm System
Standard	EN
Material	Hull material:
Weight / Size	White Weight:
Certificate	ABS, LR, BV, DNVGL, NK, KR, IRS, RMRS, CCS

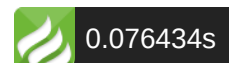
We can supply according to your requirement, drawings, class certificate needs, and delivery schedule.

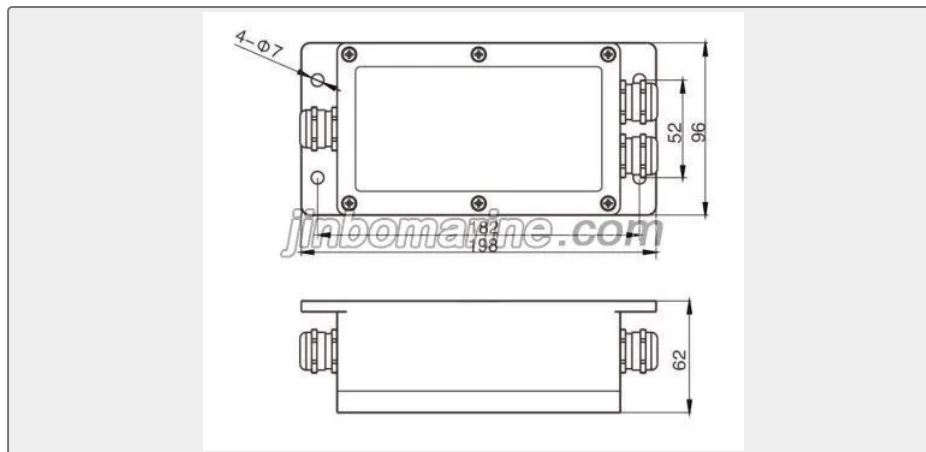
### Technical Specifications

Category	Fire Detection and Alarm System	Model / SKU	KNS9007-Safety-Barrier
Standard	EN	Material	Hull material:
Weight / Size	White Weight:	Certificate	ABS, LR, BV, DNVGL, NK, KR, IRS, RMRS, CCS
Warranty	12 Months unless specified otherwise	Origin	China

## China KNS9007 Safety Barrier:

KNS9007 Safety Barrier





Model: KNS9007

Function description: For explosion-proof detector or call point. be connected before explosion-proof detector or call point. Be mounted in safety area.

Hull material: ABS fire resistance

Colour: White

Weight: 0.7Kg

Cable gland entry demension: 3-Φ12mm

IP class: IP44