

Jinbo Marine

Marine & Offshore Equipment Datasheet

PRODUCT DATASHEET

TURNBUCKLE

Korean Type Turnbuckle

SIZE A D G H L LO 1/4 5.4 11 43 90 ...

ISO9001 Supplier

Class Certificate

Export Supply



Key Highlights

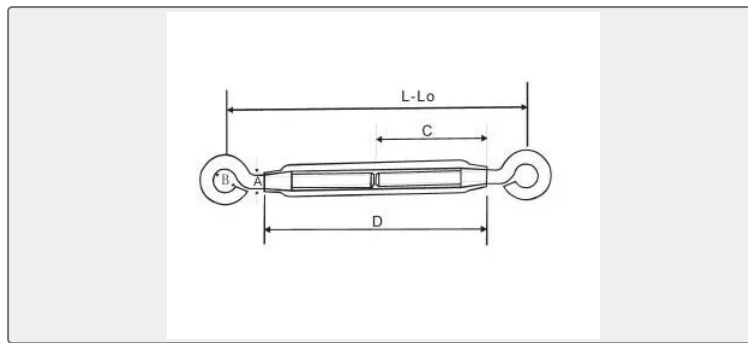
Category	Turnbuckle
Material	Stainless steel
Weight / Size	SIZE A D G H L LO 1/4 5.4 11 43 90 124 185 5/16 6.9 14 53 110 154 230 3/...
Certificate	ABS, LR, BV, DNVGL, NK, KR, IRS, RMRS, CCS

We can supply according to your requirement, drawings, class certificate needs, and delivery schedule.

Technical Specifications

Category	Turnbuckle	Model / SKU	KOREAN-TYPE-TURNBUCKLE
Material	Stainless steel	Weight / Size	SIZE A D G H L LO 1/4 5.4 11 43 90 124 185 5/16 6.9 14 53 110 154 230 3/8 8.3 17 77.5 160 213 333 1/2 11.1 20 85 175 239 409 5/8 14.2 25 107 220 301 465 3/4 17.2 35 119 242 347 523
Certificate	ABS, LR, BV, DNVGL, NK, KR, IRS, RMRS, CCS	Warranty	12 Months unless specified otherwise
Origin	China		

China Korean Type Turnbuckle:



SIZE	A	D	G	H	L	LO
1/4	5.4	11	43	90	124	185
5/16	6.9	14	53	110	154	230
3/8	8.3	17	77.5	160	213	333
1/2	11.1	20	85	175	239	409
5/8	14.2	25	107	220	301	465
3/4	17.2	35	119	242	347	523