

MARINE BATTERYLESS TELEPHONE SYSTEM

KS/12KS/24KS-1B Marine Batteryless Telephone For Explosive Gas Atmospheres

ISO9001 Supplier

Class Certificate

Export Supply

KS/12KS/24KS-1B Marine Batteryless Telephone For Explosive Gas Atmospheres Ambient noise:≤75dB Ringing sound level: >85dB(A) Power supply: DC24V -25% +30% Color: black (RAL90...



Key Highlights

Category	Marine Batteryless Telephone System
Standard	GB
Weight / Size	black (RAL9005) IP class:IP44 Weight:1.8/1.86/3.3Kg Power:1W Explosion-pr...
Certificate	ABS, LR, BV, DNVGL, NK, KR, IRS, RMRS, CCS

We can supply according to your requirement, drawings, class certificate needs, and delivery schedule.

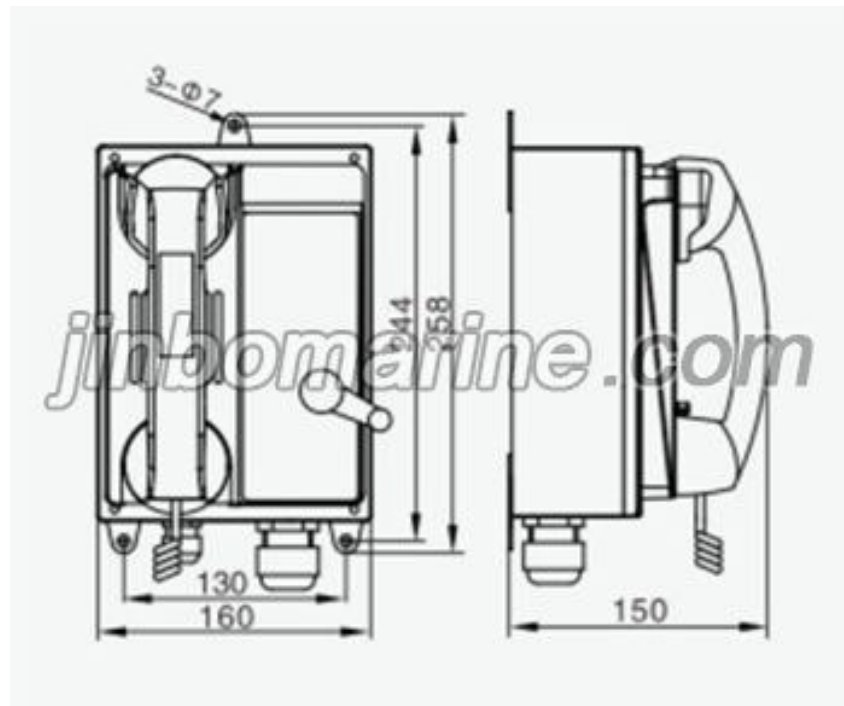
Technical Specifications

Category	Marine Batteryless Telephone System	Model / SKU	KS-12KS-24KS-1B-Marine-Batteryless-Telephone-For-Explosive-Gas-Atmospheres
Standard	GB	Weight / Size	black (RAL9005) IP class:IP44 Weight:1.8/1.86/3.3Kg Power:1W Explosion-proof class:
Certificate	ABS, LR, BV, DNVGL, NK, KR, IRS, RMRS, CCS	Warranty	12 Months unless specified otherwise
Origin	China		

China KS/12KS/24KS-1B Marine Batteryless Telephone For Explosive Gas Atmospheres:

KS/12KS/24KS-1B Marine Batteryless Telephone For Explosive Gas Atmospheres





Ambient noise: ≤ 75 dB

Ringling sound level: >85 dB(A)

Power supply: DC24V -25% +30%

Color: black (RAL9005)

IP class:IP44

Weight:1.8/1.86/3.3Kg

Power:1W

Explosion-proof class: Ex ib II B T4 Gb

Stuffing box cable entrance hole size:

KS-1B : 1- $\Phi 14$ mm;1- $\Phi 25$ mm;

12KS-1B:1- $\Phi 14$ mm;1- $\Phi 25$ mm;

24KS-1B:1- $\Phi 14$ mm;1- $\Phi 38$ mm

Connected with safety bamie:

S-1B:AQ - 3

12/24KS-1B:AQ-3B