

# Jinbo Marine

Marine &amp; Offshore Equipment Datasheet

PRODUCT DATASHEET

## MARINE BATTERYLESS TELEPHONE SYSTEM

# KS-CZX/12KS-CZX Batteryless Telephone Box

ISO9001 Supplier

Class Certificate

Export Supply

KS-CZX/12KS-CZX Batteryless Telephone Box It can be used matching with portable batteryless telephone Color: Sea gray ( B05 ) IP class:IP56 Weight:3.6Kg Stuffing box cable

...



### Key Highlights

Category	Marine Batteryless Telephone System
Standard	EN
Weight / Size	Sea gray ( B05 ) IP class:IP56 Weight:3.6Kg Stuffing box cable entrancehole...
Certificate	ABS, LR, BV, DNVGL, NK, KR, IRS, RMRS, CCS

We can supply according to your requirement, drawings, class certificate needs, and delivery schedule.

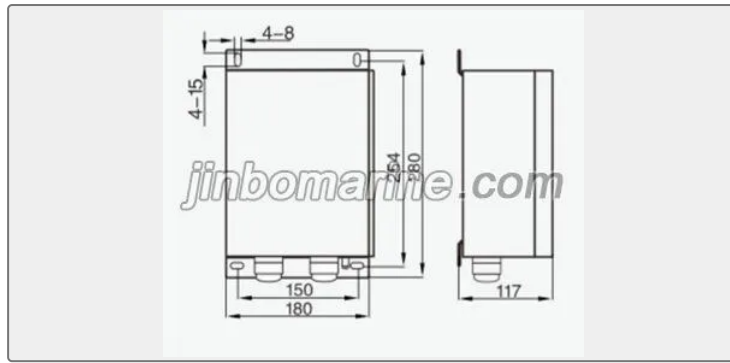
### Technical Specifications

Category	Marine Batteryless Telephone System	Model / SKU	KS-CZX-12KS-CZX-Batteryless-Telephone-Box
Standard	EN	Weight / Size	Sea gray ( B05 ) IP class:IP56 Weight:3.6Kg Stuffing box cable entrancehole size:
Certificate	ABS, LR, BV, DNVGL, NK, KR, IRS, RMRS, CCS	Warranty	12 Months unless specified otherwise
Origin	China		

## China KS-CZX/12KS-CZX Batteryless Telephone Box:

KS-CZX/12KS-CZX Batteryless Telephone Box





It can be used matching with portable batteryless telephone

Color: Sea gray ( B05 )

IP class:IP56

Weight:3.6Kg

Stuffing box cable entrancehole size: 1- $\Phi$ 12mm;1- $\Phi$ 18mm