

Jinbo Marine

Marine & Offshore Equipment Datasheet

PRODUCT DATASHEET

TURNBUCKLES AND LASHING BARS

Knob Type Lashing Bar

1.All items are approved by major classification societies 2.customized design is available.

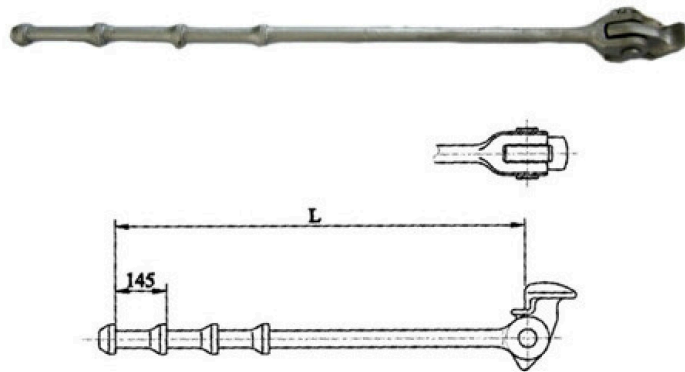
Material: forged steel Finish: hot dip galvanized M.B.L tension:500KN Length:2500

Weight:12.8kg ...

ISO9001 Supplier

Class Certificate

Export Supply



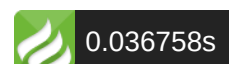
Key Highlights

Category	Turnbuckles And Lashing Bars
Standard	ISO
Material	forged steel
Weight / Size	hot dip galvanized M.B.L tension:500KN Length:2500 Weight:12.8kg Length:...
Certificate	GL certificate

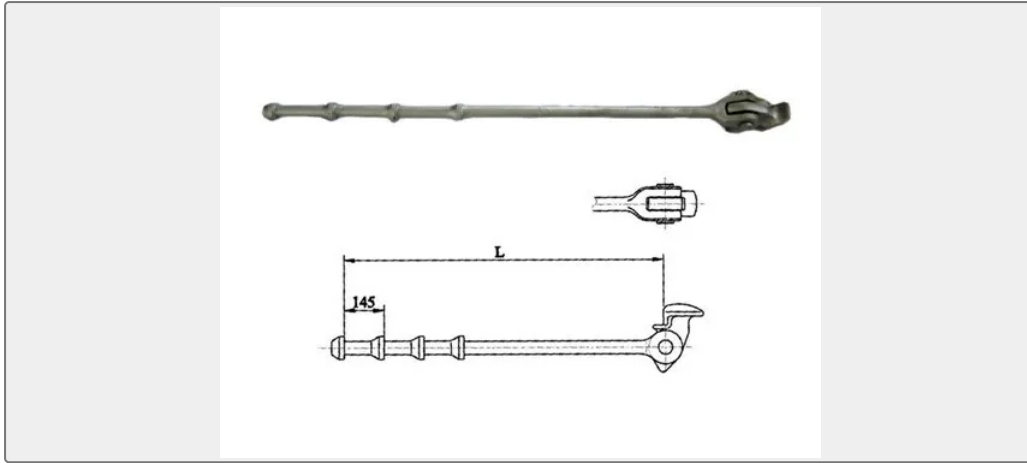
We can supply according to your requirement, drawings, class certificate needs, and delivery schedule.

Technical Specifications

Category	Turnbuckles And Lashing Bars	Model / SKU	Knob-Type-Lashing-Bar
Standard	ISO	Material	forged steel
Weight / Size	hot dip galvanized M.B.L tension:500KN Length:2500 Weight:12.8kg Length:4700 Weight:20.2kg Length:5000 Weight:21.5kg Other length on request.	Surface	hot dip galvanized
Certificate	GL certificate	Warranty	12 Months unless specified otherwise
Origin	China		



China Knob Type Lashing Bar:



- 1.All items are approved by major classification societies
- 2.customized design is available.

Material: forged steel

Finish: hot dip galvanized

M.B.L tension:500KN

Length:2500 Weight:12.8kg

Length:4700 Weight:20.2kg

Length:5000 Weight:21.5kg

Other length on request.

Certification: All items are approved by major classification societies

Remarks: customized design is available

Our scope of supply(cotainer fastners) covers the follows:

D-ring, Lashing plate, Raised ISO foundations, Dovetail foundations, Flush sockets, Sliding foundations, Guide cone, Guide block, Turnbuckles, Lashing rods, Extension rods, Manual twistlocks, Semi-automatic twistlocks, Midlocks, Sliding twistlocks, Bridge fittings, Single stackers, Double stackers, Hanging stackers, ETC