

TURNBUCKLES AND LASHING BARS

# Knob Type Turnbuckle

1.All items are approved by major classification societies 2.customized design is available.  
 Material:forged steel Finish: hot dip galvanized Weight:15.4kg M.B.L tension:500KN  
 Certificati...

- ISO9001 Supplier
- Class Certificate
- Export Supply



## Key Highlights

<b>Category</b>	Turnbuckles And Lashing Bars
<b>Standard</b>	ISO
<b>Material</b>	forged steel
<b>Weight / Size</b>	hot dip galvanized Weight:15.4kg M.B.L tension:500KN Certification:
<b>Certificate</b>	GL certificate

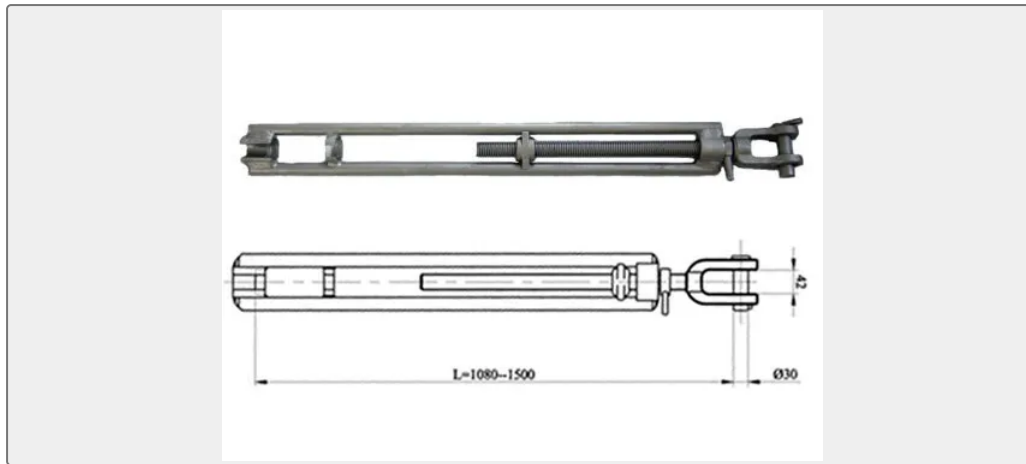
We can supply according to your requirement, drawings, class certificate needs, and delivery schedule.

## Technical Specifications

<b>Category</b>	Turnbuckles And Lashing Bars	<b>Model / SKU</b>	Knob-Type-Turnbuckle
<b>Standard</b>	ISO	<b>Material</b>	forged steel
<b>Weight / Size</b>	hot dip galvanized Weight:15.4kg M.B.L tension:500KN Certification:	<b>Surface</b>	hot dip galvanized
<b>Certificate</b>	GL certificate	<b>Warranty</b>	12 Months unless specified otherwise
<b>Origin</b>	China		



## China Knob Type Turnbuckle:



- 1.All items are approved by major classification societies
- 2.customized design is available.

Material:forged steel

Finish: hot dip galvanized

Weight:15.4kg

M.B.L tension:500KN

Certification: All items are approved by major classification societies

Remarks: customized design is available

Our scope of supply( cotainer fastners ) covers the follows:

D-ring, Lashing plate, Raised ISO foundations, Dovetail foundations, Flush sockets, Sliding foundations, Guide cone, Guide block, Turnbuckles, Lashing rods, Extension rods, Manual twistlocks, Semi-automatic twistlocks, Midlocks, Sliding twistlocks, Bridge fittings, Single stackers, Double stackers, Hanging stackers, ETC