

WARPING ROLLER

Korean Warping Roller

It is used for bollard cable leading of ships,good wear and corrosion resistance to grant a long service time. Paint: Grey Epoxy Primer, for the middle paint and surface according to your requirement. Del...

ISO9001 Supplier

Class Certificate

Export Supply



Key Highlights

Category	Warping Roller
Standard	DIN
Material	cast steel,cast iron
Certificate	ABS , BV, CCS, mill certificate etc.

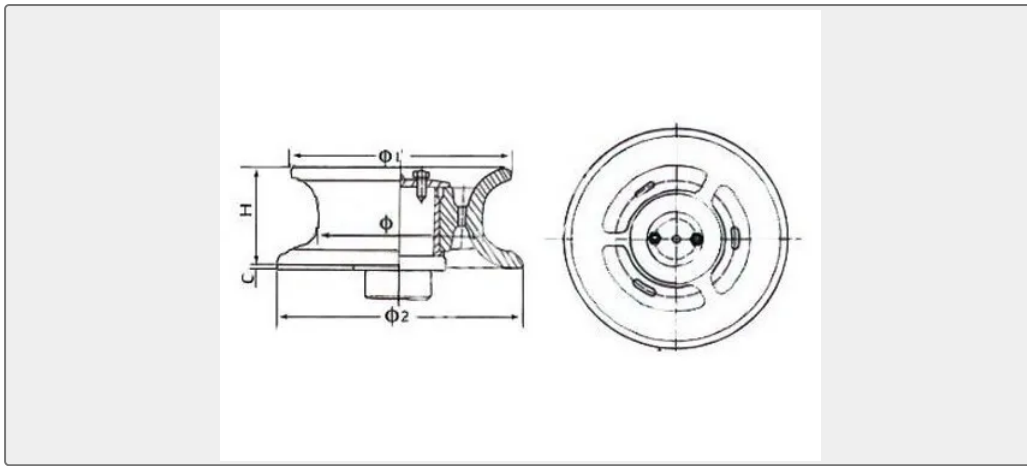
We can supply according to your requirement, drawings, class certificate needs, and delivery schedule.

Technical Specifications

Category	Warping Roller	Model / SKU	Korean-Warping-Roller
Standard	DIN	Material	cast steel,cast iron
Surface	Grey Epoxy Primer, for the middle paint and surface according to your requirement.	Certificate	ABS , BV, CCS, mill certificate etc.
Warranty	12 Months unless specified otherwise	Origin	China

China Korean Warping Roller:





It is used for bollard cable leading of ships, good wear and corrosion resistance to grant a long service time.

Paint: Grey Epoxy Primer, for the middle paint and surface according to your requirement.

Delivery time: 7-15 days after order be confirmed.

Machining facilities : CNC center, CNC lathes, ultrasonic wave cleaning etc.

KOREAN WARPING ROLLER						
Product No.	NOMINAL DIA.(mm)	Φ(mm)	Φ1(mm)	Φ2(mm)	H(mm)	c(mm)
KWR-001	150	150	216	240	137	5
KWR-002	200	200	280	310	157	5
KWR-003	250	250	350	380	177	6
KWR-004	300	300	400	440	197	7
KWR-005	350	350	460	500	217	7
KWR-006	400	400	520	560	237	7
KWR-007	450	450	590	630	257	7
KWR-008	500	500	660	700	277	7