

Jinbo Marine

Marine & Offshore Equipment Datasheet

PRODUCT DATASHEET

MARINE KITCHEN GALLEY

LB-38L Marine Pancake Oven

LB-38L Marine Pancake Oven 1. High thermal efficiency, saving time 2. Safe and reliable, long service life 3. Intelligent temperature control 4. The top cover of frosted stainless steel is elegant and luxurious,...

ISO9001 Supplier

Class Certificate

Export Supply



Key Highlights

Category	Marine Kitchen Galley
Standard	EN
Material	SS
Weight / Size	The heating plate is formed by one-time die-casting, with high density, ...
Certificate	ABS, LR, BV, DNVGL, NK, KR, IRS, RMRS, CCS

We can supply according to your requirement, drawings, class certificate needs, and delivery schedule.



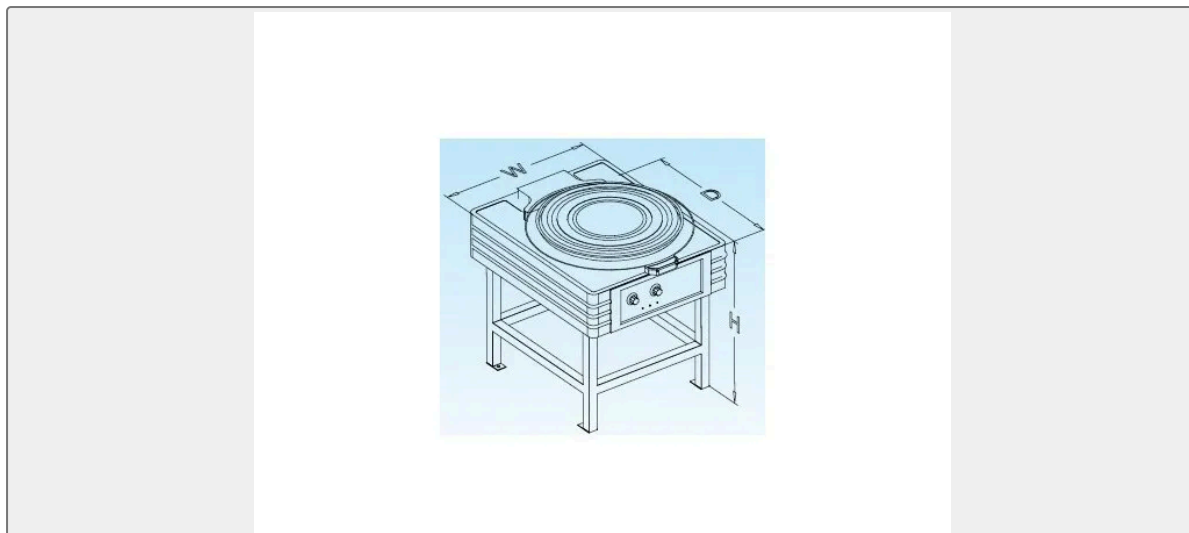
Technical Specifications			
Category	Marine Kitchen Galley	Model / SKU	LB-38L-Marine-Pancake-Oven
Standard	EN	Material	SS
Weight / Size	The heating plate is formed by one-time die-casting, with high density, high strength, no deformation, and even heating Equipped with stainless steel adjustable feet for easy installation on board LB-38L Marine Pancake Oven Drawing LB-38L Marine Pancake Oven Parameters Model LB-38L LB550 Voltage 220V-1PH-50Hz 380/415V-3PH-50Hz 440/480V/3PH-60Hz Power(kw) 2.8 1 Size(mm) 490x60x340 650x836x810 Weight(kg) 10 50	Certificate	ABS, LR, BV, DNVGL, NK, KR, IRS, RMRS, CCS
Warranty	12 Months unless specified otherwise	Origin	China

CONTENTS	<ul style="list-style-type: none"> ■ LB-38L Marine Pancake Oven ■ LB-38L Marine Pancake Oven Parameters 	<ul style="list-style-type: none"> ■ LB-38L Marine Pancake Oven Drawing
-----------------	---------------------------------------------------------------------------------------------------------------------------------	----------------------------------------------------------------------------------------

LB-38L Marine Pancake Oven

1. High thermal efficiency, saving time
 2. Safe and reliable, long service life
 3. Intelligent temperature control
 4. The top cover of frosted stainless steel is elegant and luxurious, easier to clean
 5. The heating plate is formed by one-time die-casting, with high density, high strength, no deformation, and even heating
- Equipped with stainless steel adjustable feet for easy installation on board

LB-38L Marine Pancake Oven Drawing



LB-38L Marine Pancake Oven Parameters

Model	LB-38L	LB550
Voltage	220V-1PH-50Hz 380/415V-3PH-50Hz 440/480V/3PH-60Hz	
Power(kw)	2.8	1
Size(mm)	490x60x340	650x836x810
Weight(kg)	10	50