

Product Feature

1. Light body is polycarbonate material.
2. LED Light Source, light soft, no glare, supper high uniformity and visual comfort, color \geq 80%, light rate $>$ 70%, life time 30000h,energy saving 50%, new green environmental product, easy installation, general G12 lamp holder.

Environment temperature I s -20-45degree within the scope of work

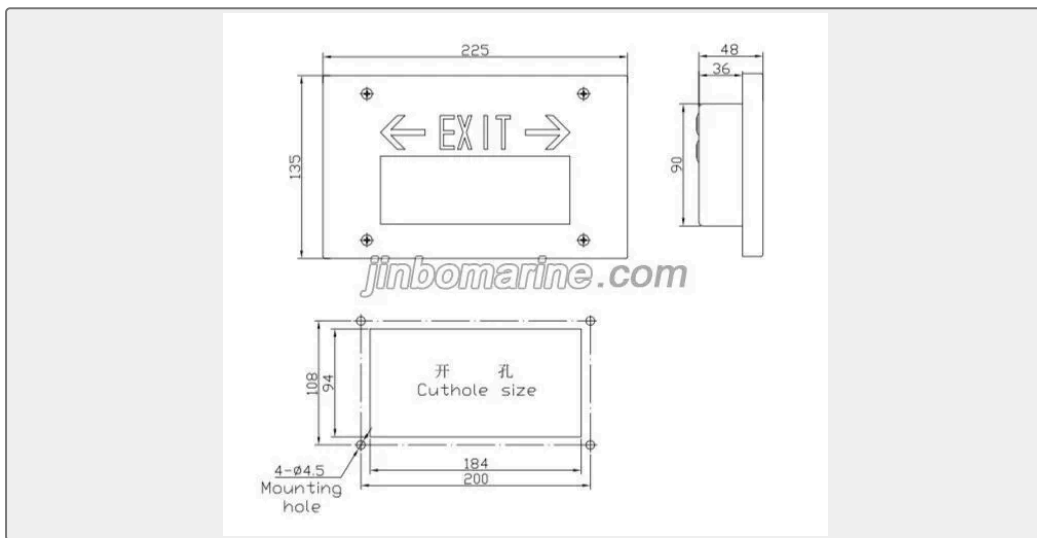
3. Protection class is IP22.

Standards

1. Chapter 3, Part 4 of Classification Society Rules for Classification of Sea-going Steel Ships 2015 and its Amendments;

2.GB7000.1-2015 , Luminaires –Part1:General requirements and tests

Specification



| Type | Voltage | Power | Protection Class | Weight |
|--------|---------|-----------|------------------|--------|
| CBD7ML | 20-240V | \leq 5W | IP22 | 0.8kg |