

Jinbo Marine

Marine & Offshore Equipment Datasheet

PRODUCT DATASHEET

MARINE LED LIGHT

LED EF10-MLA Remote Control Search Light

ISO9001 Supplier

Class Certificate

Export Supply

Application Applied to illumination of military ship and ship, decks, dock, plaza and working areas. Product Features 1. The shell is made of high quality stainless steel plate. 2. The lampshade...



Key Highlights

Category	Marine LED Light
Standard	GB
Material	The shell is made of high quality stainless steel plate.
Weight / Size	Specification Type Voltage Power Shine distance Weight EF10-MLA 110/220V...
Certificate	ABS, LR, BV, DNVGL, NK, KR, IRS, RMRS, CCS

We can supply according to your requirement, drawings, class certificate needs, and delivery schedule.

Technical Specifications

Category	Marine LED Light	Model / SKU	LED-EF10-MLA-Remote-Control-Search-Light
Standard	GB	Material	The shell is made of high quality stainless steel plate.
Weight / Size	Specification Type Voltage Power Shine distance Weight EF10-MLA 110/220V 50/60HZ 100W 900M 32kg	Certificate	ABS, LR, BV, DNVGL, NK, KR, IRS, RMRS, CCS
Warranty	12 Months unless specified otherwise	Origin	China

China LED EF10-MLA Remote Control Search Light:

Application

Applied to illumination of military ship and ship, decks, dock, plaza and working areas.

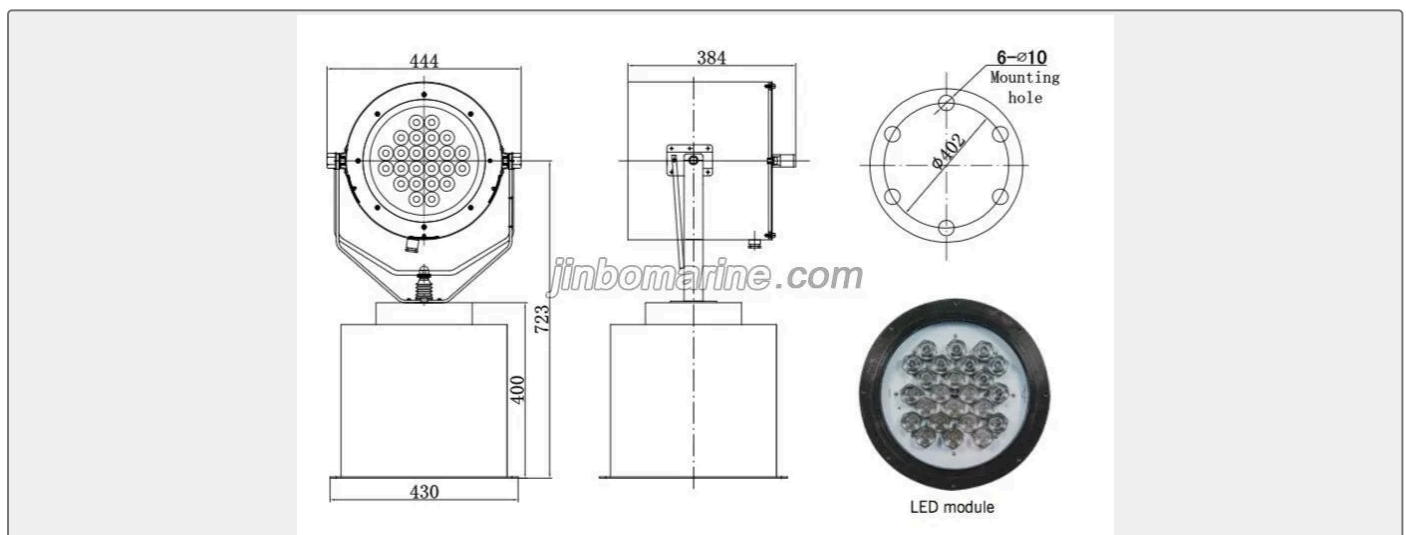
Product Features

1. The shell is made of high quality stainless steel plate.
2. The lampshade is made of high-strength toughened glass.
3. LED Light Source, light soft, no glare, supper high uniformity and visual comfort, color \geq 80%, light rate $>$ 70%, life time 30000h,energy saving 50%, new green environmental product, easy installation, general G12 lamp holder.
4. Environment temperature I s -20-45degree within the scope of work.
5. Protection class is IP56.
6. Operated by remote control on the deck and it just adjust up and down +/-30 degree, 350 degree horizontally.

Standard

1. Chapter 3, Part 4 of Classification Society Rules for Classification of Sea-going Steel Ships 2015 and its Amendments;
- 2.GB7000.1-2015 , Luminaires –Part1:General requirements and tests.

Specification



Type	Voltage	Power	Shine distance	Weight
EF10-MLA	110/220V 50/60HZ	100W	900M	32kg