

Application

Applied to bedside illumination of residential cabin in military ship and ship, recessed mounting type.

Product Feature

1. Light body is polycarbonate material.
2. LED Light Source, light soft, no glare, supper high uniformity and visual comfort, color \geq 80%, light rate $>$ 70%, life time 30000h,energy saving 50%, new green environmental product, easy installation, general G12 lamp holder.

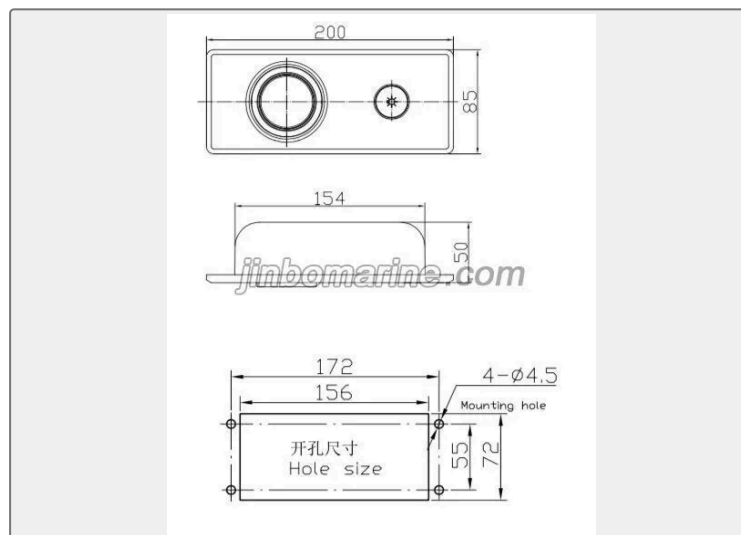
Environment temperature I s -20-45degree within the scope of work

3. Protection class is IP22.

Standards

1. Chapter 3, Part 4 of Classification Society Rules for Classification of Sea-going Steel Ships 2015 and its Amendments;
- 2.GB7000.1-2015 , Luminaires –Part1:General requirements and tests

Specification



Type	Voltage	Power	Protection Class	CT	Weight
TBY10-ML	20-240V	\leq 5W	IP22	3000-6500K	0.4kg