

# Jinbo Marine

Marine & Offshore Equipment Datasheet


PRODUCT DATASHEET

MARINE LED LIGHT

## LED TBYB10-GLKC Mirror Light

Application Applied to military ship and ship illumination of dry cabin, such as the accommodation, passage way, retiring room and so on. Product Feature 1. Shell adopts good quality steel plate. ...

- ISO9001 Supplier
- Class Certificate
- Export Supply



Key Highlights	
Category	Marine LED Light
Standard	GB
Material	Shell adopts good quality steel plate.
Weight / Size	Specification Type Voltage Power Replacement Liminous Flux CT Weight TBY...
Certificate	ABS, LR, BV, DNVGL, NK, KR, IRS, RMRS, CCS

We can supply according to your requirement, drawings, class certificate needs, and delivery schedule.

Technical Specifications			
Category	Marine LED Light	Model / SKU	LED-TBYB10-GLKC-Mirror-Light
Standard	GB	Material	Shell adopts good quality steel plate.
Weight / Size	Specification Type Voltage Power Replacement Liminous Flux CT Weight TBYB10-GLKC 110/220V 50/60Hz <=10W 2x18W Fluorescent Lamp 580lm 3000-6500K 2.4kg TBYB10-MLKC <=10W 2x18W Fluorescent Lamp 750lm 3000-6500K 2.4kg	Certificate	ABS, LR, BV, DNVGL, NK, KR, IRS, RMRS, CCS
Warranty	12 Months unless specified otherwise	Origin	China

### China LED TBYB10-GLKC Mirror Light:

#### Application

Applied to military ship and ship illumination of dry cabin, such as the accommodation, passage way, retiring room and so on.

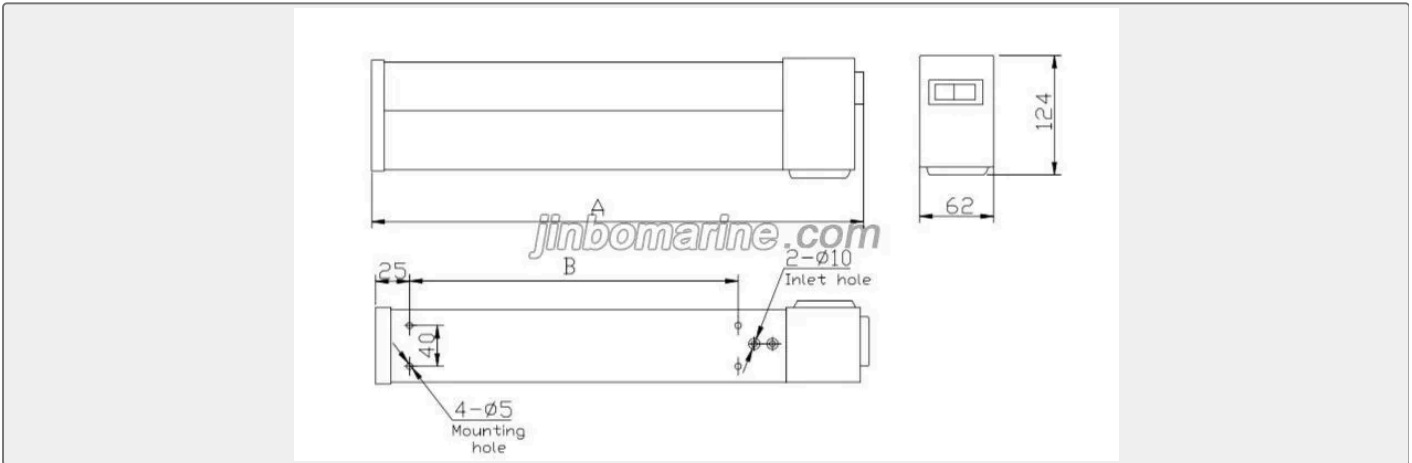
**Product Feature**

1. Shell adopts good quality steel plate.
2. Lampshade is made of milky white organic glass.
3. LED Light Source, light soft, no glare, supper high uniformity and visual comfort, color $\geq$ 80%, light rate $>$ 70%, life time 30000h,energy saving 50%, new green environmental product, easy installation, general G12 lamp holder.
4. Environment temperature I s -20-45degree within the scope of work.
5. Protection class is IP22.

**Standard**

1. Chapter 3, Part 4 of Classification Society Rules for Classification of Sea-going Steel Ships 2015 and its Amendments;
2. GB7000.1-2015 , Luminaires –Part1:General requirements and tests.

**Specification**



Type	Voltage	Power	Replacement	Luminous Flux	CT	Weight
TBYB10-GLKC	110/220V 50/60Hz	$\leq$ 10W	2x18W Fluorescent Lamp	580lm	3000-6500K	2.4kg
TBYB10-MLKC		$\leq$ 10W	2x18W Fluorescent Lamp	750lm	3000-6500K	2.4kg