

Jinbo Marine

Marine & Offshore Equipment Datasheet

PRODUCT DATASHEET

MARINE LED LIGHT

LED TdF220-10 Explosion Proof Light

Application Applicable to miliarty ship and ship, oil extraction platforms, chemical and explosive gas 1 or 2 district lighting. Product Feature 1. The body is made of cast aluminum, lampshade is tran...

ISO9001 Supplier

Class Certificate

Export Supply



Key Highlights

Category	Marine LED Light
Standard	GB
Material	Chapter 3, Part 4 of Classification Society Rules for Classification of ...
Weight / Size	Specification Type Voltage Power Liminous Flux CT Size Ex-proof Mark Wei...
Certificate	ABS, LR, BV, DNVGL, NK, KR, IRS, RMRS, CCS

We can supply according to your requirement, drawings, class certificate needs, and delivery schedule.

Technical Specifications

Category	Marine LED Light	Model / SKU	LED-TdF220-10-Explosion-Proof-Light
Standard	GB	Material	Chapter 3, Part 4 of Classification Society Rules for Classification of Sea-going Steel Ships 2015 and its Amendments;
Weight / Size	Specification Type Voltage Power Liminous Flux CT Size Ex-proof Mark Weight TdF220-10 110/220V 50/60Hz <=10W 480lm 3000-6500K 600x800x545 Exd II CT6 Gb 4.5kg	Certificate	ABS, LR, BV, DNVGL, NK, KR, IRS, RMRS, CCS
Warranty	12 Months unless specified otherwise	Origin	China

CONTENTS

■ Application

■ Product Feature

■ Standards

■ Specification

Application

Applicable to miliarty ship and ship, oil extraction platforms, chemical and explosive gas 1 or 2 district lighting.

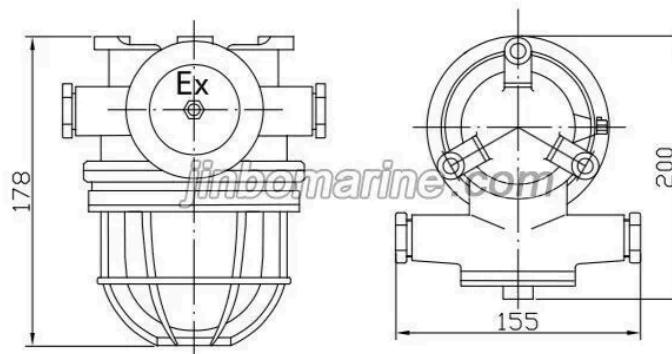
Product Feature

1. The body is made of cast aluminum, lampshade is transparent polycarbonate, high water-proof and anti-corrosion.
2. LED Light Source, light soft, no glare, supper high uniformity and visual comfort, color \geq 80%, light rate $>$ 70%, life time 30000h,energy saving 50%, new green environmental product, easy installation, general G12 lamp holder.
3. Environment temperature I s -20-45degree within the scope of work
4. Protection class is IP66.

Standards

1. Chapter 3, Part 4 of Classification Society Rules for Classification of Sea-going Steel Ships 2015 and its Amendments;
- 2.GB7000.1-2015 , Luminaires –Part1:General requirements and tests
3. Confirm to the GB3836.1-2010<explosive environment first parts:general requirement for equipment> and GB3836.2-2010 <explosive environment first parts:general requirement for equipment> .

Specification



Type	Voltage	Power	Luminous Flux	CT	Size	Ex-proof Mark	Weight
TdF220-10	110/220V 50/60Hz	\leq 10W	480lm	3000-6500K	600x800x545	Exd II CT6 Gb	4.5kg