

Jinbo Marine

Marine & Offshore Equipment Datasheet

PRODUCT DATASHEET

HEAT EXCHANGER

LQ series cooler

Model Area of cooling Surface m² Pressure of work Working temperature°C Pressure drop MPA Medium viscosity Hea...

ISO9001 Supplier

Class Certificate

Export Supply



Key Highlights

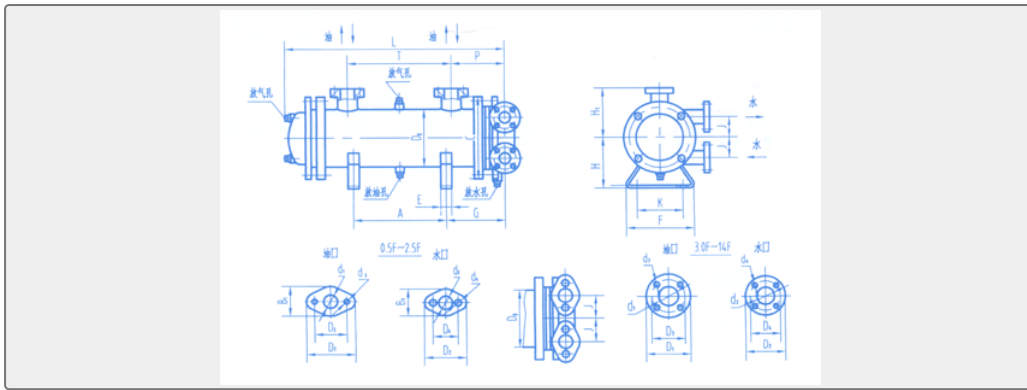
Category	Heat Exchanger
Standard	EN
Certificate	ABS, LR, BV, DNVGL, NK, KR, IRS, RMRS, CCS

We can supply according to your requirement, drawings, class certificate needs, and delivery schedule.

Technical Specifications

Category	Heat Exchanger	Model / SKU	LQ-series-cooler
Standard	EN	Surface	Model Area of cooling Surface m ² Pressure of work Working temperature°C Pressure drop MPA Medium viscosity Heat transfer coefficient W/m ² ·k Oil side Water side 2LQFW 0.5-16 16 ≤100 ≤10 ≤0.05 20-300 ≥350 2LQFL 0.5-16 2LQF6W 0.5-16 2LQF1W 19-290 1 2LQF1L 19-290 2LQF4W 0.5-14 2LQGW 0.2-11.45 1.6 4LQF3W 1.3-5.3 ≤0.15 20-300 ≥400
Certificate	ABS, LR, BV, DNVGL, NK, KR, IRS, RMRS, CCS	Warranty	12 Months unless specified otherwise
Origin	China		

China LQ series cooler:



Model	Area of cooling Surface m ²	Pressure of work	Working temperature °C	Pressure drop MPA		Medium viscosity	Heat transfer coefficient W/m ² ·k
				Oil side	Water side		
2LQF W	0.5-16	16	≤100	≤10	≤0.005	20-300	≥350
2LQFL	0.5-16						
2LQF6 W	0.5-16						
2LQF1 W	19-290	1					
2LQF1 L	19-290						
2LQF4 W	0.5-14						
2LQG W	0.2-11.45	1.6					
4LQF3 W	1.3-5.3						