

Jinbo Marine

Marine & Offshore Equipment Datasheet

PRODUCT DATASHEET

SHIPBUILDING STEEL

LRA Hot Rolled Equal Angle Bar

Hot Rolled Equal Angle Steel is used for ship building. Grade: A,AH32, AH36, B
Certificate: CCS, ABS, GL, LR, DNV, BV, RINA, NK and KR
Standard: GB/T706-2006, JIS, EN, ASTM
Surfac...

ISO9001 Supplier

Class Certificate

Export Supply




Key Highlights

Category	Shipbuilding Steel
Standard	JIS
Material	A,AH32, AH36, B
Weight / Size	galvanized or as required Angle Bar Specification Size(mm) Weight(Kg/M) ...
Certificate	CCS, ABS, GL, LR, DNV, BV, RINA, NK and KR

We can supply according to your requirement, drawings, class certificate needs, and delivery schedule.



Technical Specifications			
Category	Shipbuilding Steel	Model / SKU	LRA-Hot-Rolled-Equal-Angle-Bar
Standard	JIS	Material	A,AH32, AH36, B
Weight / Size	galvanized or as required Angle Bar Specification Size(mm) Weight(Kg/M) Size(mm) Weight(Kg/M) 25x25x3 1.124 90x90x8 10.946 25x25x4 1.459 90x90x10 13.476 30x30x3 1.373 100x100x6 9.366 30x30x4 1.786 100x100x7 10.83 40x40x3 1.852 100x100x8 12.276 40x40x4 2.422 100x100x10 15.12 40x40x5 2.976 100x100x12 17.898 45x45x3 2.088 110x110x7 11.928 45x45x4 2.736 110x110x8 13.532 45x45x5 3.369 110x110x10 16.69 50x50x3 2.332 110x110x12 19.782 50x50x4 3.059 125x125x8 15.504 50x50x5 3.77 125x125x10 19.133 50x50x6 4.465 125x125x12 22.696 63x63x5 4.822 125x125x14 26.193 63x63x6 5.721 140x140x10 21.488 63x63x8 7.469 140x140x12 25.522 70x70x5 5.397 140x140x14 29.49 70x70x6 6.406 160x160x10 24.729 70x70x7 7.398 160x160x12 29.391 70x70x8 8.373 160x160x14 33.987 75x75x5 5.818 160x160x16 38.518 75x75x6 6.905 180x180x12 33.159 75x75x7 7.976 180x180x14 38.383 75x75x8 9.03 180x180x16 43.542 75x75x10 11.089 180x180x18 48.634 80x80x6 7.376 200x200x14 42.894 80x80x7 8.525 200x200x16 48.68 80x80x8 9.658 200x200x18 54.401 80x80x10 11.874 200x200x20 60.056 90x90x6 8.35 200x200x24 71.168 90x90x7 9.656 Length:6-12meters	Surface	galvanized
Certificate	CCS, ABS, GL, LR, DNV, BV, RINA, NK and KR	Warranty	12 Months unless specified otherwise
Origin	China	 0.054249s	

CONTENTS

■ China LRA Hot Rolled Equal Angle Bar:

■ Angle Bar Specification

China LRA Hot Rolled Equal Angle Bar:

Hot Rolled Equal Angle Steel is used for ship building.

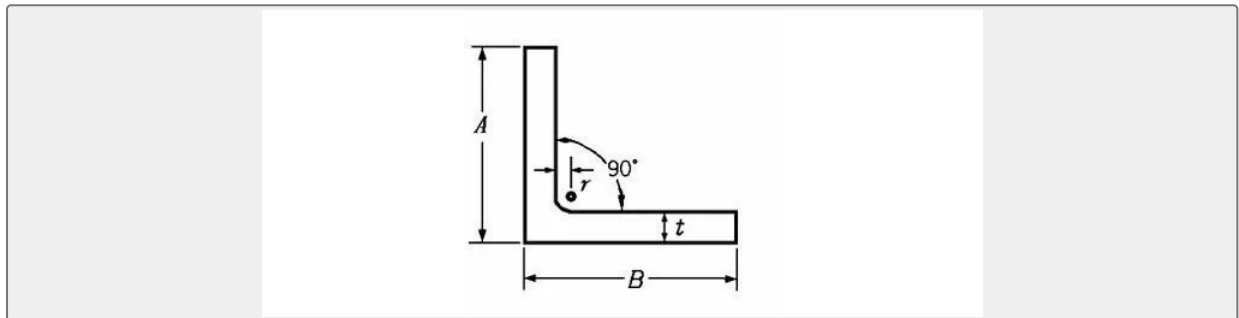
Grade: A,AH32, AH36, B

Certificate: CCS, ABS, GL, LR, DNV, BV, RINA, NK and KR

Standard: GB/T706-2006, JIS, EN, ASTM

Surface treatment: galvanized or as required

Angle Bar Specification



Size(mm)	Weight(Kg/M)	Size(mm)	Weight(Kg/M)
25x25x3	1.124	90x90x8	10.946
25x25x4	1.459	90x90x10	13.476
30x30x3	1.373	100x100x6	9.366
30x30x4	1.786	100x100x7	10.83
40x40x3	1.852	100x100x8	12.276
40x40x4	2.422	100x100x10	15.12
40x40x5	2.976	100x100x12	17.898
45x45x3	2.088	110x110x7	11.928
45x45x4	2.736	110x110x8	13.532
45x45x5	3.369	110x110x10	16.69
50x50x3	2.332	110x110x12	19.782
50x50x4	3.059	125x125x8	15.504
50x50x5	3.77	125x125x10	19.133
50x50x6	4.465	125x125x12	22.696
63x63x5	4.822	125x125x14	26.193
63x63x6	5.721	140x140x10	21.488

63x63x8	7.469	140x140x12	25.522
70x70x5	5.397	140x140x14	29.49
70x70x6	6.406	160x160x10	24.729
70x70x7	7.398	160x160x12	29.391
70x70x8	8.373	160x160x14	33.987
75x75x5	5.818	160x160x16	38.518
75x75x6	6.905	180x180x12	33.159
75x75x7	7.976	180x180x14	38.383
75x75x8	9.03	180x180x16	43.542
75x75x10	11.089	180x180x18	48.634
80x80x6	7.376	200x200x14	42.894
80x80x7	8.525	200x200x16	48.68
80x80x8	9.658	200x200x18	54.401
80x80x10	11.874	200x200x20	60.056
90x90x6	8.35	200x200x24	71.168
90x90x7	9.656	Length:6-12meters	