

Jinbo Marine

Marine & Offshore Equipment Datasheet

PRODUCT DATASHEET

CONNECTORS

LTM D Type Anchor Shackle

Main Specification Material: Alloy Steel Size: 50MM to 114mm Finish: Black Painting or As Request Size Table Chain Size (MM) ...

ISO9001 Supplier

Class Certificate

Export Supply



Key Highlights

Category	Connectors
Material	Alloy Steel
Weight / Size	Alloy Steel Size:
Certificate	ABS, LR, BV, DNVGL, NK, KR, IRS, RMRS, CCS

We can supply according to your requirement, drawings, class certificate needs, and delivery schedule.

Technical Specifications

Category	Connectors	Model / SKU	LTM-D-Type-Anchor-Shackle
Material	Alloy Steel	Weight / Size	Alloy Steel Size:
Surface	Black Painting	Certificate	ABS, LR, BV, DNVGL, NK, KR, IRS, RMRS, CCS
Warranty	12 Months unless specified otherwise	Origin	China

CONTENTS

 Main Specification

 Size Table

Main Specification

Material: Alloy Steel

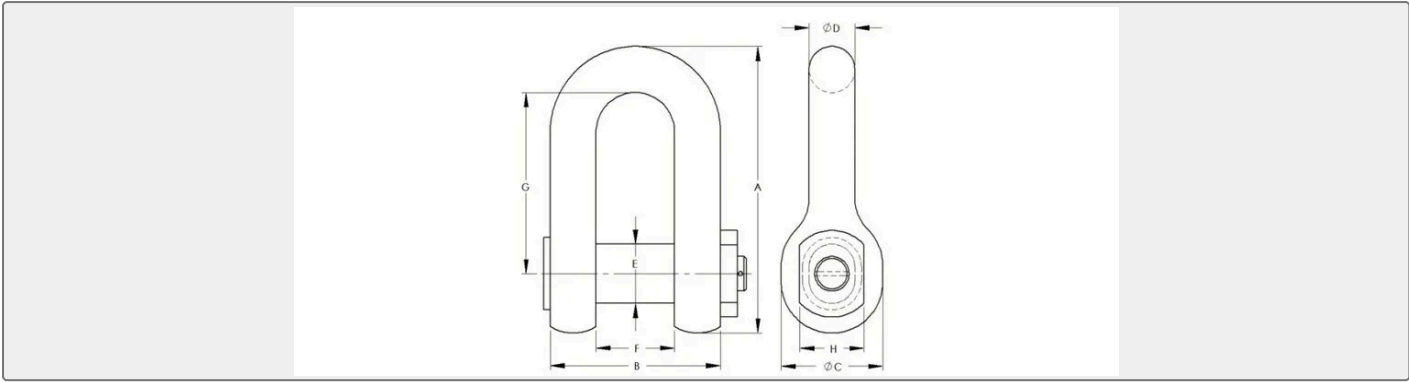
Size: 50MM to 114mm

Finish: Black Painting or As Request

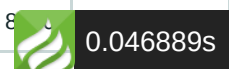


0.046889s

Size Table



Chain Size (MM)	Grade ORQ		Grade R3		Grade R3s		Grade R4	
	PL(KN)	BL(KN)	PL(KN)	BL(KN)	PL(KN)	BL(KN)	PL(KN)	BL(KN)
50	1400	2110	1560	2230	1800	2490	2160	2740
52	1508	2273	1680	2400	1940	2680	2330	2960
54	1620	2441	1810	2580	2080	2880	2500	3170
56	1735	2615	1940	2760	2230	3090	2680	3400
58	1854	2794	2070	2950	2380	3300	2860	3630
60	1976	2978	2200	3150	2540	3510	3050	3870
62	2101	3166	2340	3350	2700	3740	3240	4110
64	2230	3360	2490	3550	2870	3970	3440	4360
66	2361	3559	2630	3760	3040	4200	3640	4620
68	2496	3762	2780	3980	3210	4440	3850	4890
70	2634	3970	2940	4200	3390	4690	4060	5160
73	2847	4291	3170	4540	3660	5060	4390	5570
76	3066	4621	3420	4880	3940	5450	4730	6000
78	3216	4847	3590	5120	4140	5720	4960	6300
81	3446	5194	3840	5490	4430	6130	5320	6750
84	3683	5550	4110	5870	4740	6550	5680	7210
87	3925	5916	4380	6250	5050	6980	6060	7680
90	4173	6289	4650	6650	5370	7420	6440	8170
92	4342	6544	4840	6920	5580	7720	6700	8500
95	4599	6932	5130	7330	5910	8180	7100	9000
97	4774	7185	5320	7600	6140	8490	7370	9340
100	5040	7596	5620	8030	6480	8960	7780	9860
102	5220	7868	5820	8320	6710	9290	8000	10190



105	5495	8282	6130	8750	7070	9770	8470	10750
107	5681	8561	6630	9050	7300	10100	8760	11120
111	6058	9130	5760	9650	7790	10780	9350	11860
114	6346	9565	7080	10110	8160	11290	9790	12420