

MARINE TRANSFORMERS

LZZBJ9-10A1G Current Transformer

LZZBJ9-10A1G Current Transformer 1.The product complies with the standards GB1208 and IEC185 2. Rated insulation level 12/42/75KV 3. Rated frequency 50Hz, 60Hz 4. It can make high-precision current transfor...

- ISO9001 Supplier
- Class Certificate
- Export Supply



Key Highlights

Category	Marine Transformers
Standard	GB
Certificate	ABS, LR, BV, DNVGL, NK, KR, IRS, RMRS, CCS

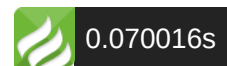
We can supply according to your requirement, drawings, class certificate needs, and delivery schedule.

Technical Specifications			
Category	Marine Transformers	Model / SKU	LZZBJ9-10A1G-Current-Transformer
Standard	GB	Certificate	ABS, LR, BV, DNVGL, NK, KR, IRS, RMRS, CCS
Warranty	12 Months unless specified otherwise	Origin	China

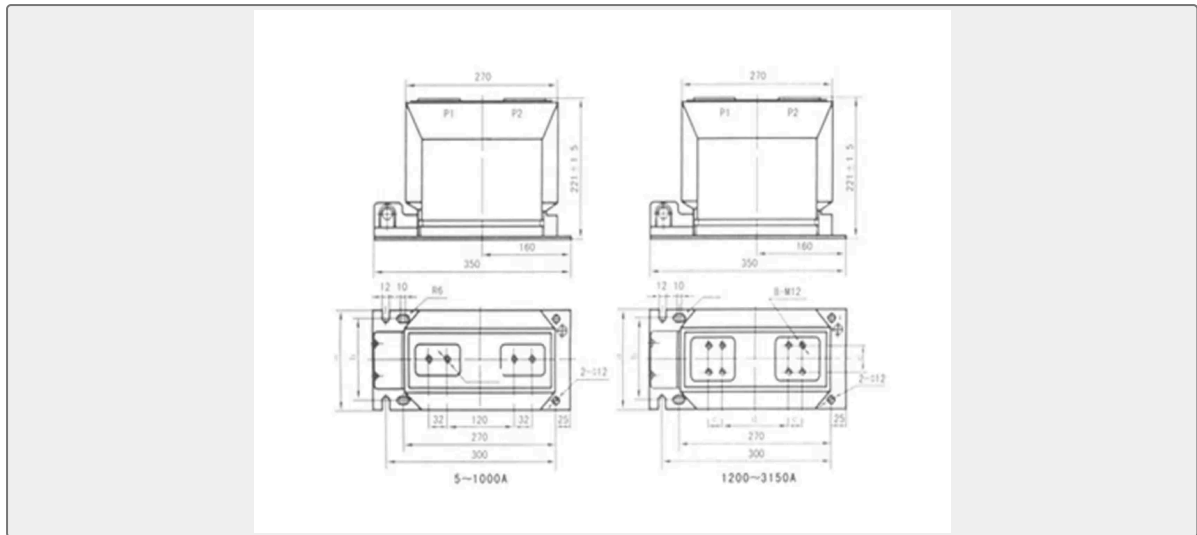
CONTENTS	<ul style="list-style-type: none"> ■ LZZBJ9-10A1G Current Transformer ■ LZZBJ9-10A1G Current Transformer Parameters 	<ul style="list-style-type: none"> ■ LZZBJ9-10A1G Current Transformer Drawing
-----------------	---	--

LZZBJ9-10A1G Current Transformer

- 1.The product complies with the standards GB1208 and IEC185
2. Rated insulation level 12/42/75KV
3. Rated frequency 50Hz, 60Hz
4. It can make high-precision current transformer with measurement level of 0.2S or 0.5S



LZZBJ9-10A1G Current Transformer Drawing



LZZBJ9-10A1G Current Transformer Parameters

Model	Rated Primary Current/A	Accuracy Combination	Rated Output/VA	LTH KA/S	Rated Dynamic Current
LZZB6-10 LZZB6-10Q	5-100	0.2/0.2	10/10	150Im	375Im
	150	0.2/0.5	10/10	22.5	44
	200,300	0.5/10P10	10/15	24.5	44
LZZJB6-10 LZZJB6-10Q	100	0.2/0.2	10/10	15	38
	150	0.2/0.5	10/10	22.5	44
	200	0.5/10P15	10/15	24.5	
	300				
	400,500,600			33	59
	800 1000 1200 1500			41	74
LZZQB6-10 LZZQB6-10Q	30	0.2/0.2	15/15	8	20
	40	0.2/0.5	15/15	12	30
	50	0.5/10P15	15/20	16	40
	75		20	50	
	100 150 200 300		31.5	80	
	400	0.2/0.2	44.5	80	20/20
	500	0.2/0.5			20/20
	600	0.5/10P15			20/30
	800	0.2/0.2			30/30
	1000-1500	0.2/0.5			30/30
	0.5/10P15	63	110	30/30	

