

# Jinbo Marine

Marine &amp; Offshore Equipment Datasheet

PRODUCT DATASHEET

## D RING AND LASHING EYES

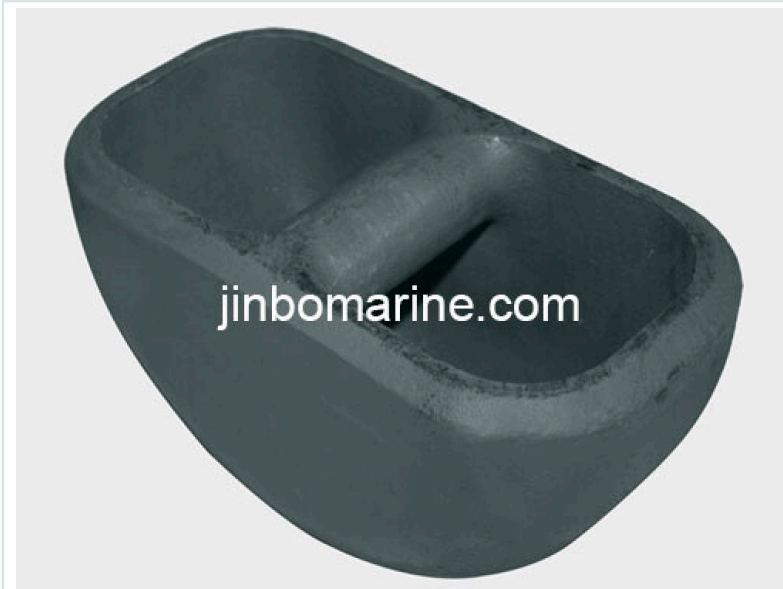
# Lashing Pot

1.All items are approved by major classification societies 2.customized design is available.  
Material: casting steel Finish: paint Weight:11kg MIN BREAKING LOAD:360KN Certification:  
All ...

ISO9001 Supplier

Class Certificate

Export Supply



### Key Highlights

Category	D Ring And Lashing Eyes
Standard	ISO
Material	casting steel
Weight / Size	paint Weight:11kg MIN BREAKING LOAD:360KN Certification:
Certificate	GL certificate

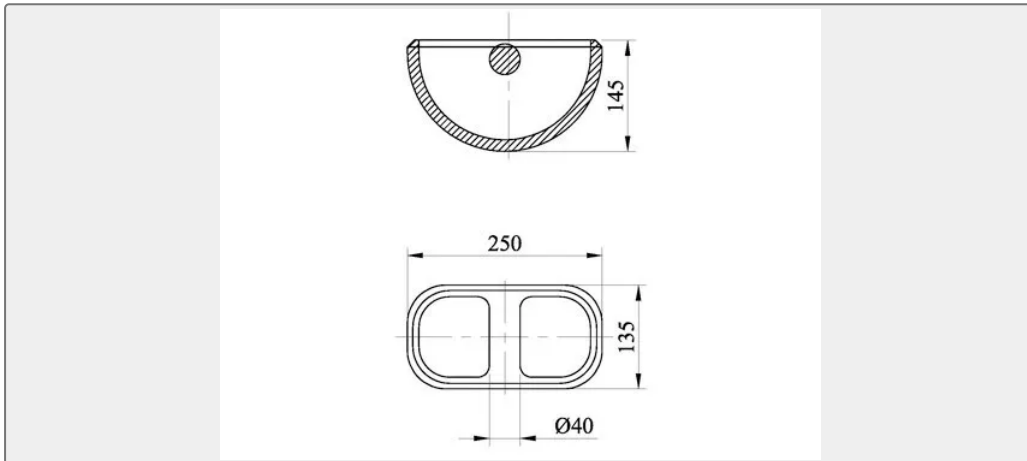
We can supply according to your requirement, drawings, class certificate needs, and delivery schedule.

### Technical Specifications

Category	D Ring And Lashing Eyes	Model / SKU	Lashing-Pot
Standard	ISO	Material	casting steel
Weight / Size	paint Weight:11kg MIN BREAKING LOAD:360KN Certification:	Surface	casting steel Finish:
Certificate	GL certificate	Warranty	12 Months unless specified otherwise
Origin	China		



## China Lashing Pot:



- 1.All items are approved by major classification societies
- 2.customized design is available.

Material: casting steel

Finish: paint

Weight:11kg

MIN BREAKING LOAD:360KN

Certification: All items are approved by major classification societies

Remarks: customized design is available

Our scope of supply( cotainer fastners ) covers the follows:

D-ring, Lashing plate, Raised ISO foundations, Dovetail foundations, Flush sockets, Sliding foundations, Guide cone, Guide block, Turnbuckles, Lashing rods, Extension rods, Manual twistlocks, Semi-automatic twistlocks, Midlocks, Sliding twistlocks, Bridge fittings, Single stackers, Double stackers, Hanging stackers, ETC.