

Jinbo Marine

Marine & Offshore Equipment Datasheet

PRODUCT DATASHEET

MARINE CHAIR

Light Stainless Steel Wave Pilot Chair TR-007

ISO9001 Supplier

Class Certificate

Export Supply

Stainless Steel Pilot Chair TR-007 is made of SUS304, the weight is light and is wave proof. Specification: 1.Chair rack with 304 high strength thick stainless steel; sliding function used for st...



Key Highlights

Category	Marine Chair
Standard	DIN
Material	Stainless Steel
Weight / Size	Stainless Steel Pilot Chair TR-007 is made of SUS304, the weight is li...
Certificate	Mill certificate

We can supply according to your requirement, drawings, class certificate needs, and delivery schedule.

Technical Specifications

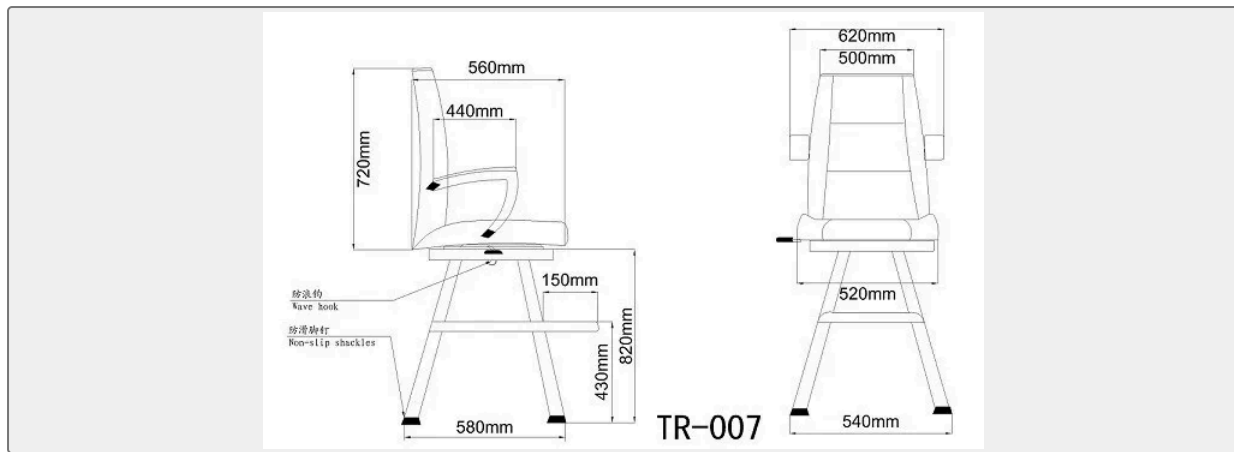
Category	Marine Chair	Model / SKU	Light-Stainless-Steel-Wave-Pilot-Chair
Standard	DIN	Material	Stainless Steel
Weight / Size	Stainless Steel Pilot Chair TR-007 is made of SUS304, the weight is light and is wave proof.	Certificate	Mill certificate
Warranty	12 Months unless specified otherwise	Origin	China

CONTENTS

- Specification:

- Features:





Stainless Steel Pilot Chair TR-007 is made of SUS304, the weight is light and is wave proof.

Specification:

1. Chair rack with 304 high strength thick stainless steel; sliding function used for steel structure
2. The seat core using PU cold foam forming disposable sponge
3. Sides of the chair using high quality PU leather
4. 1. The seat is movable back and front 120mm

Features:

1. Ergonomic design
2. The seat can be moved back and forth
3. Solid stainless steel stent
4. Wave protection design