

Jinbo Marine

Marine & Offshore Equipment Datasheet

PRODUCT DATASHEET

CB MARINE FILTER

Low Pressure Coarse Oil Filter CB/T425-94

ISO9001 Supplier

Class Certificate

Export Supply

The low pressure coarse oil filter is used on the pipe system of fuel oil or lubrication oil.

Design Standard: CB/T425-94 Test Standard: GB600 Flange size as per GB569 or GB2501

(Type A-GB569, Type AS-G...



Key Highlights

Category	CB Marine Filter
Standard	GB
Material	Cast Iron
Weight / Size	GB600 Flange size as per GB569 or GB2501 (Type A-GB569, Type AS-GB2501) ...
Certificate	MILL CERTIFICATE

We can supply according to your requirement, drawings, class certificate needs, and delivery schedule.

Technical Specifications

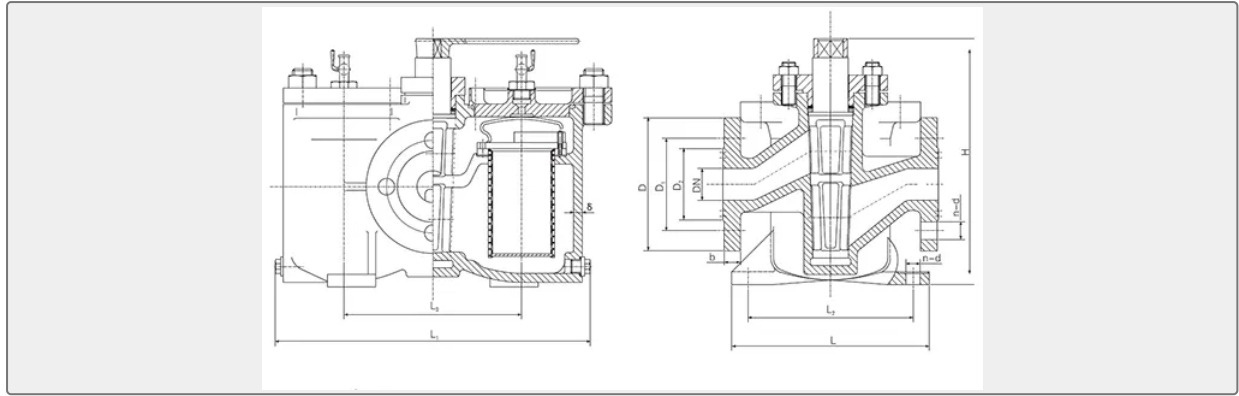
Category	CB Marine Filter	Model / SKU	Low-Pressure-Coarse-Oil-Filter-CB-T425-94
Standard	GB	Material	Cast Iron
Weight / Size	GB600 Flange size as per GB569 or GB2501 (Type A-GB569, Type AS-GB2501) Test Pressure:	Certificate	MILL CERTIFICATE
Warranty	12 Months unless specified otherwise	Origin	China

CONTENTS

- China Low Pressure Coarse Oil Filter CB/T425-94:
- Main Parts & Material:
- Main Size List(mm):



China Low Pressure Coarse Oil Filter CB/T425-94:



The low pressure coarse oil filter is used on the pipe system of fuel oil or lubrication oil.

Design Standard: CB/T425-94

Test Standard: GB600

Flange size as per GB569 or GB2501 (Type A-GB569, Type AS-GB2501)

Test Pressure: Body---0.7Mpa & last 2minutes, Seal---0.4Mpa & last 1minute.

nominal pressure (Mpa)	nominal diameter(mm)	applicable medium
0.4	20-100	fuel oil, lubrication oil

Main Parts & Material:

Body-Cast Iron(HT200)

Cover-Cast Iron(HT200)

Core Plug-Bronze

Magnetic Plate-Magnetic Steel

Filter Screen-Brass or stainless Steel

Main Size List(mm):

For Type A:

nominal diameter	Structure Dimension			Thickness δ	Flange					Bolt		Footing				Weight(kg)
	H	L1	L		D	D1	D2	d	b	n	Th.	L2	L3	n	d	
20	218	223	145	7	95	68	48	13	14	4	M12	115	125	4	11	11
25	238	252	170	7	105	73	56	13	14	4	M12	130	140	4	11	13
32	265	292	195	7	115	83	64	15	15	6	M14	145	165	4	11	16
40	298	340	210	8	125	93	74	15	16	6	M14	165	195	4	13	24
50	340	398	235	8	135	103	84	15	16	6	M14	190	230	4	13	34
65	395	482	270	9	155	123	104	15	15	6	M14	225	280	4	15	42

80	445	560	300	9	170	138	118	15	15	8	M14	260	335	4	15	75
100	538	665	340	10	190	158	138	15	15	8	M14	300	380	4	15	124

For Type AS:

nominal diameter	Structure Dimension			Thickness δ	Flange					Bolt		Footing				Weight(kg)
	H	L1	L		D	D1	D2	d	b	n	Th.	L2	L3	n	d	
20	218	223	145	7	90	65	50	11	14	4	M10	115	125	4	11	10.8
25	237	252	170	7	100	75	60	11	14	4	M10	130	140	4	11	12.8
32	265	292	195	7	120	90	70	14	16	6	M12	145	165	4	11	16.9
40	298	340	210	8	130	100	80	14	16	6	M12	165	195	4	13	24.2
50	340	398	235	8	140	110	90	14	16	6	M12	190	230	4	13	34.2
65	395	482	272	9	160	130	110	14	16	6	M12	225	280	4	15	42.6
80	445	560	306	9	190	150	128	18	18	8	M16	260	335	4	15	76.7
100	535	665	346	10	210	170	148	18	18	8	M16	300	380	4	15	126