

Jinbo Marine

Marine & Offshore Equipment Datasheet

PRODUCT DATASHEET

BUTTERFLY VALVE

Lug Butterfly Valve

The Lug Wafer Butterfly Valve is composed of the body, disc, seat, stem and worm gear, used in many industries such as water, steel food, medicine, chemical, oil, power, textile, paper..etc to adjust the flow rate or int...

ISO9001 Supplier

Class Certificate

Export Supply



Key Highlights

Category	Butterfly Valve
Standard	JIS
Material	Cast Iron, Nodular Iron, Cast Steel, Stainless Steel
Weight / Size	GB/T9113.1-2000;GB/T9115.1-2000;JB78 Structure Size Standard:GB/T12221-1...
Certificate	Mill Certificate

We can supply according to your requirement, drawings, class certificate needs, and delivery schedule.

Technical Specifications

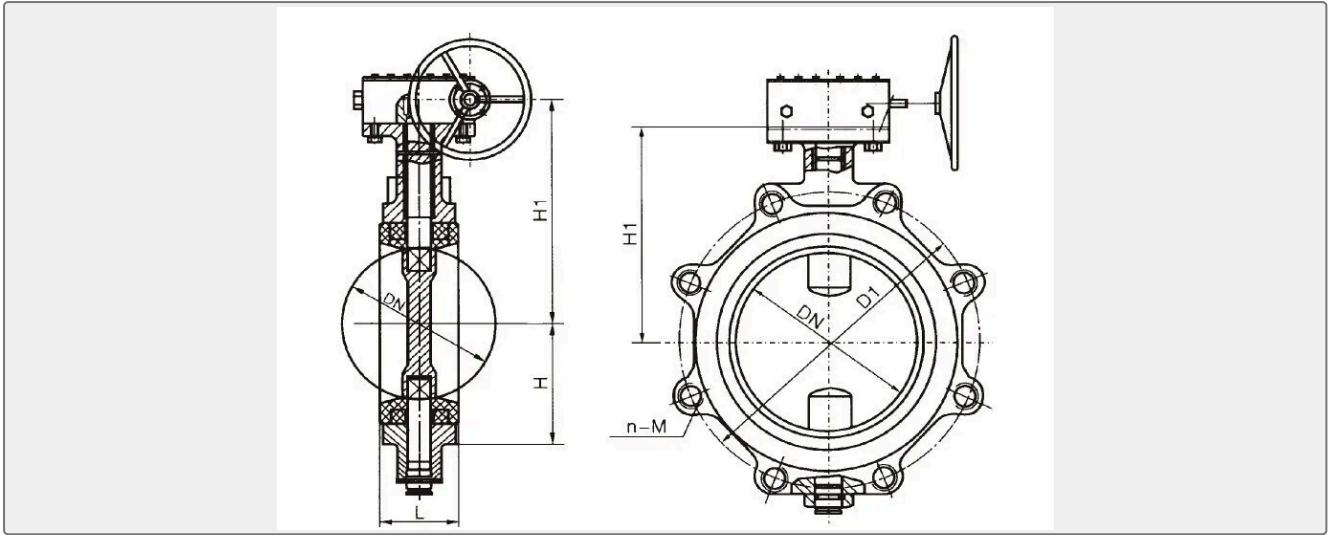
Category	Butterfly Valve	Model / SKU	Lug-Butterfly-Valve
Standard	JIS	Material	Cast Iron, Nodular Iron, Cast Steel, Stainless Steel
Weight / Size	GB/T9113.1-2000;GB/T9115.1-2000;JB78 Structure Size Standard:GB/T12221-1989 Pressure Test Standard:GB/T13927-1992;JB/T9092-1999 Technical Specification:	Certificate	Mill Certificate
Warranty	12 Months unless specified otherwise	Origin	China

CONTENTS

- China Lug Butterfly Valve:
- Standard:
- Technical Specification:
- Main Parts & Material:
- Seal Material:



China Lug Butterfly Valve:



The Lug Wafer Butterfly Valve is composed of the body, disc, seat, stem and worm gear, used in many industries such as water, steel food, medicine, chemical, oil, power, textile, paper..etc to adjust the flow rate or intercept the medium in the as or water supply, drainage pipe line.

Standard:

Design Standard : GB/T2238-1989,API609,JIS B2064

Face to Face: GB/T9113.1-2000;GB/T9115.1-2000;JB78

Structure Size Standard:GB/T12221-1989

Pressure Test Standard:GB/T13927-1992;JB/T9092-1999

Technical Specification:

Nominal Size DN (mm)	50 ~ 2000		
Nominal Pressure PN (MPa)	0.6	1	1.6
Seal Test(MPa)	0.66	1.1	1.76
Strength Test (MPa)	0.9	1.5	2.4
Applicable Medium	Water, Air, Gas, Oil, Sea Water, Acid and weak corrosive fluid		

Main Parts & Material:

Parts Name	Material
Body	Cast Iron, Nodular Iron, Cast Steel,Stainless Steel
Disc	Nodular Iron with Galv, Cast Steel,Stainless Steel, Bronze
Stem	2Cr13、 Stainless Steel
Seal Ring	NBR, PTFE, CR, EPDM,VITON...
Packing	O Ring, Flexible Graphite

Seal Material:

Seal Material	CR	NBR	EPDM	PTFE	SI	VITON	NR	PA
Max Temperature	82°C	93°C	150°C	232°C	250°C	204°C	85°C	93°C
Min Temperature	-40°C	-40°C	-40°C	-268°C	-70°C	-23°C	-20°C	-73°C
Suitable Service Temperature	0~+80 °C	-20~+82 °C	-40~+125 °C	-30~+150 °C	-70~+150 °C	-23~+150 °C	-20~+85 °C	-30~+93 °C

If you need the size, pls feel free to contact us.