

MARINE ENGINE TELEGRAPH SYSTEM

MCL-1AC-Q Transmitter Of Marine Main Engine Telegraph

ISO9001 Supplier

Class Certificate

Export Supply

MCL-1AC-Q Transmitter Of Marine Main Engine Telegraph 1)Chapter 2 of Part 4 of the"Steel Ship Classification Rules" of the China Classification Society: Colour: Dull black Shell material: ABS ...



Key Highlights

Category	Marine Engine Telegraph System
Standard	EN
Material	MCL-1AC-Q Transmitter Of Marine Main Engine Telegraph 1)Chapter 2 of Par...
Certificate	ABS, LR, BV, DNVGL, NK, KR, IRS, RMRS, CCS

We can supply according to your requirement, drawings, class certificate needs, and delivery schedule.

Technical Specifications

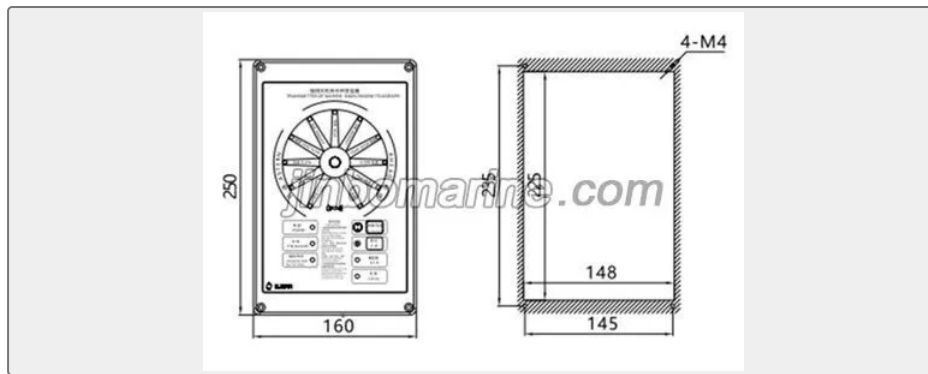
Category	Marine Engine Telegraph System	Model / SKU	MCL-1AC-Q-Transmitter-Of-Marine-Main-Engine-Telegraph
Standard	EN	Material	MCL-1AC-Q Transmitter Of Marine Main Engine Telegraph 1)Chapter 2 of Part 4 of the"Steel Ship Classification Rules" of the China Classification Society:
Certificate	ABS, LR, BV, DNVGL, NK, KR, IRS, RMRS, CCS	Warranty	12 Months unless specified otherwise
Origin	China		

China MCL-1AC-Q Transmitter Of Marine Main Engine Telegraph:

MCL-1AC-Q Transmitter Of Marine Main Engine Telegraph

1)Chapter 2 of Part 4 of the"Steel Ship Classification Rules" of the China Classification Society:





Colour: Dull black

Shell material: ABS

Power supply: DC24V±10%

Alarm sound level: ≥75dB

IP rating: IP22

When transmitter and receive are not synchronisit will send out wrong-way alarm,power failure alarm and fault alarm