

Jinbo Marine

Marine & Offshore Equipment Datasheet

PRODUCT DATASHEET

HFM FIRE DOOR CONTROL SYSTEM

MHD-1 Limit Switch

MHD-1 Limit Switch Color: Blue Stuffing box cable entrance hole size:1-Φ12~16mm

Protection class: IP56 Weight: 1Kg

ISO9001 Supplier

Class Certificate

Export Supply



Key Highlights

Category	HFM Fire Door Control System
Standard	EN
Weight / Size	Blue Stuffing box cable entrance hole size:1-Φ12~16mm Protection class:
Certificate	ABS, LR, BV, DNVGL, NK, KR, IRS, RMRS, CCS

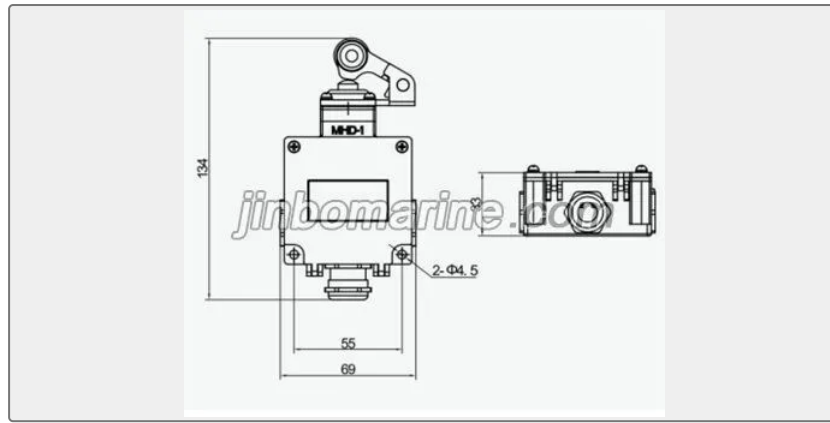
We can supply according to your requirement, drawings, class certificate needs, and delivery schedule.

Technical Specifications

Category	HFM Fire Door Control System	Model / SKU	MHD-1-Limit-Switch
Standard	EN	Weight / Size	Blue Stuffing box cable entrance hole size:1-Φ12~16mm Protection class:
Certificate	ABS, LR, BV, DNVGL, NK, KR, IRS, RMRS, CCS	Warranty	12 Months unless specified otherwise
Origin	China		

China MHD-1 Limit Switch:

MHD-1 Limit Switch



Color: Blue

Stuffing box cable entrance hole size:1-Φ12~16mm

Protection class: IP56

Weight: 1Kg